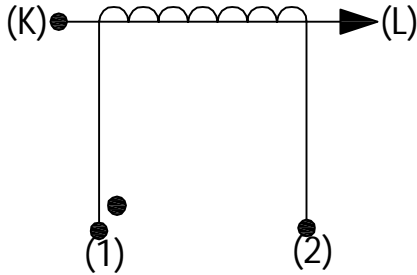


| | |
|----------------------|---------------------|
| Product Type | Current Transformer |
| AMGIS Part Number | #u |
| Customer Part Number | |
| Place of Manufacture | |

SCHEMATIC:



ELECTRICAL SPECIFICATION:

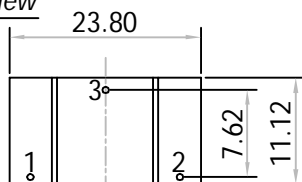
| | |
|---|---|
| Rated input current | = 20Amps |
| Primary to Secondary isolation | = 2500VAC |
| Operating Frequency | = 50 / 60 Hz |
| Turns Ratio | = 1 : 1000 |
| DC Resistance | = 41.80 Ω |
| Output Voltage | = 2.0V @ 20A / 100Ω, 0.0400W |
| I _o @ V _{rms} : 2.65V | = 628μArms |
| Ratio Correction factor (RCF*) | = 1.01 @ 10% (Multiply current reading by this factor to compensate for transformer losses) |

| Volt/Amp at rated I _p for different loads | | | |
|--|------|-------|-------|
| 100Ω | 500Ω | 2000Ω | 5000Ω |
| 0.10 | 0.43 | 0.76 | 0.93 |

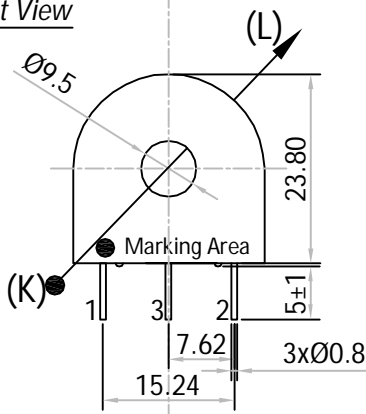
MECHANICAL SPECIFICATION:

OUTPUT RESPONSE vs INPUT CURRENT @ RATED BURDEN :

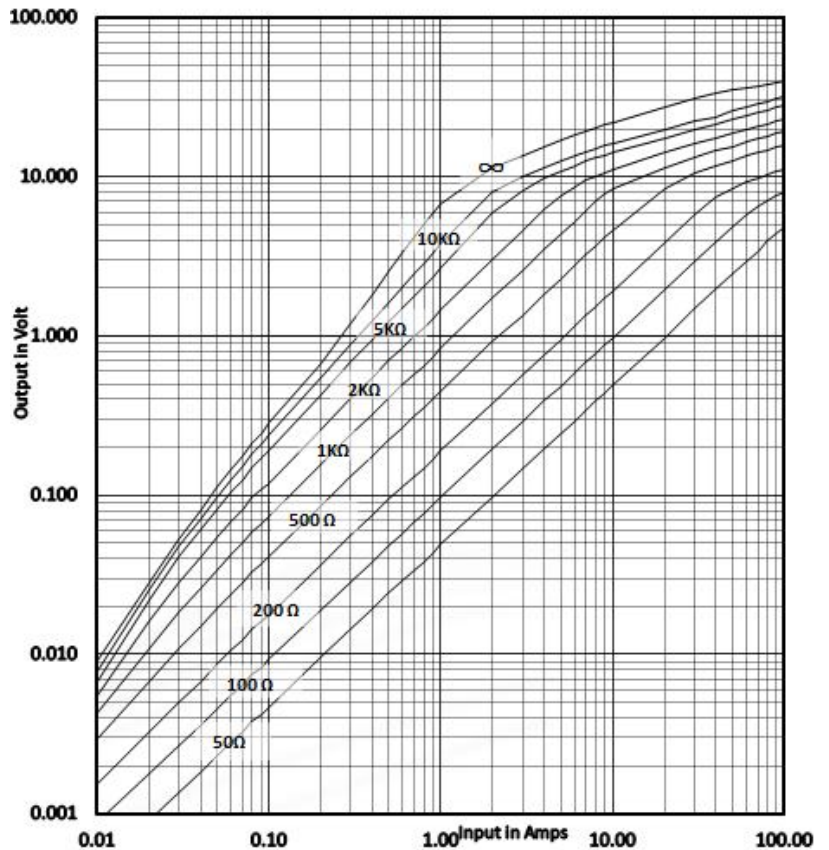
Pin Side View



Front View

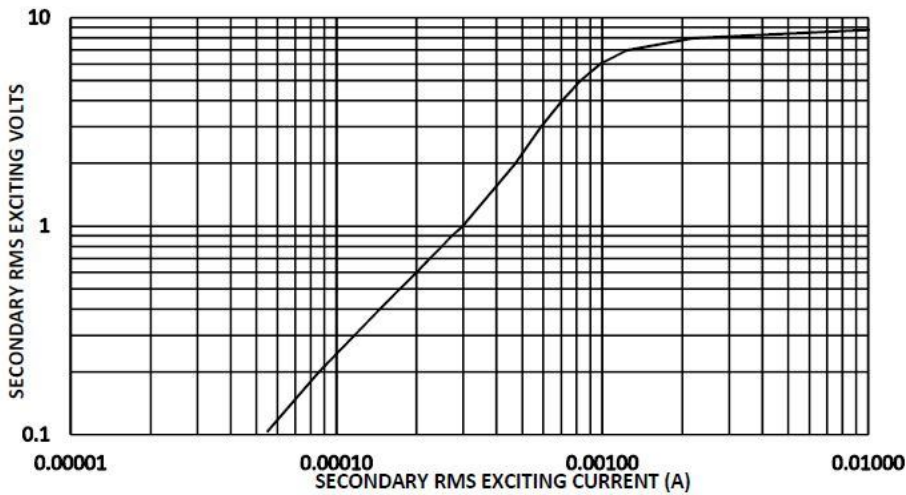


All dimensions are in mm
Linear dimensional tolerance ±0.2mm

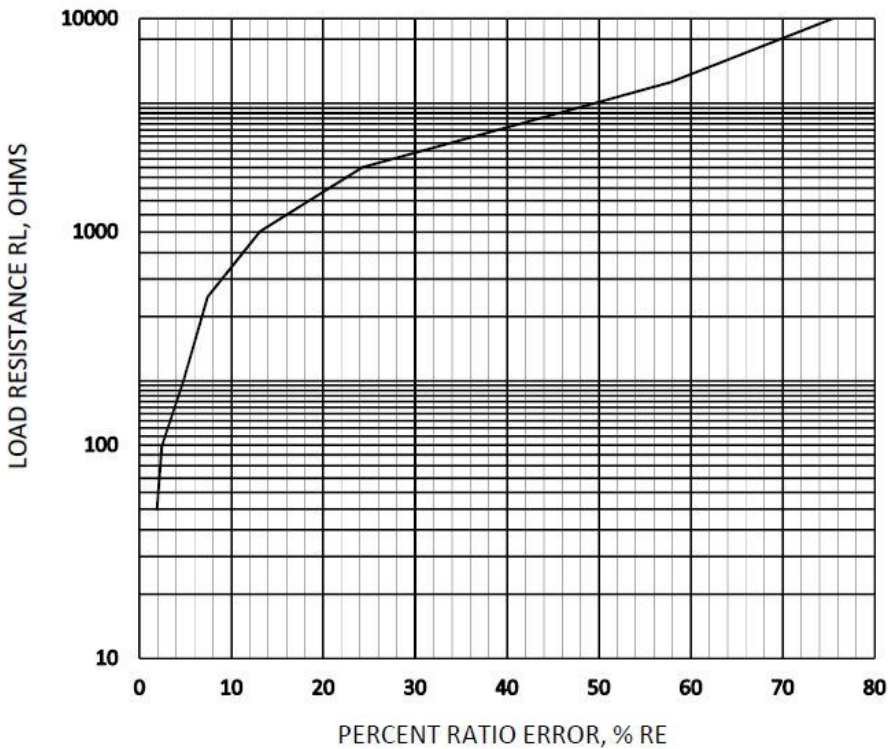


Note : Un-Used pin → #3

TYPICAL EXCITATION CURVE :



RATIO ERROR (%) vs RATED BURDEN @ INPUT CURRENT :



TRAFO WEIGHT:

Approx. Weight = 0.0163 kg / pc

MARKING INFORMATION:

L01-6213
 Ac yr / wk code
 ●
 Dot mark for Start pin identification

| | | | | |
|-------------------------|-------|-----|-----------|-------------|
| -----Initial Issue----- | 1 | 0 | Balaji. R | 18-Nov'2015 |
| Changes | Issue | Rev | Initial | Date |