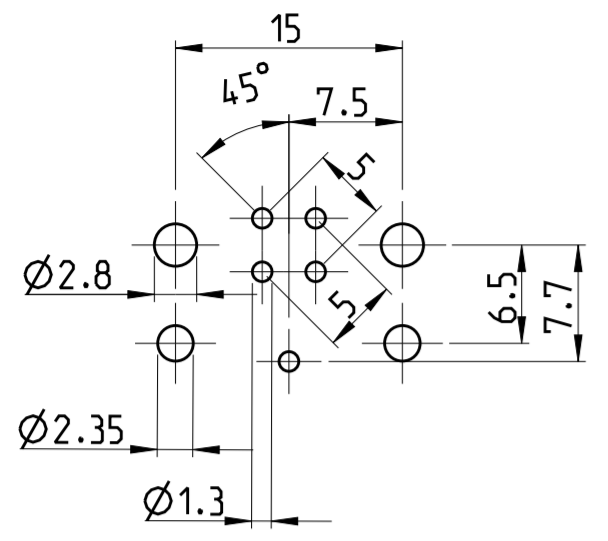


THIS DRAWING IS UNPUBLISHED. VERTRÄULICHE UNVERÖFFENTLICHTE ZEICHNUNG. RELEASED FOR PUBLICATION FREI FÜR VERÖFFENTLICHUNG. 2014. MATED WITH: PASSEND ZU: 2014. PROJECT NR.: PRJ-11-000004377

REVISIONS		DATE	DWN	APVD
ÄNDERUNGEN				
DESCRIPTION				
BESCHREIBUNG				
P	LTR			
	A	04DEC2014	TJ	PS

CONDUCTOR LAYOUT

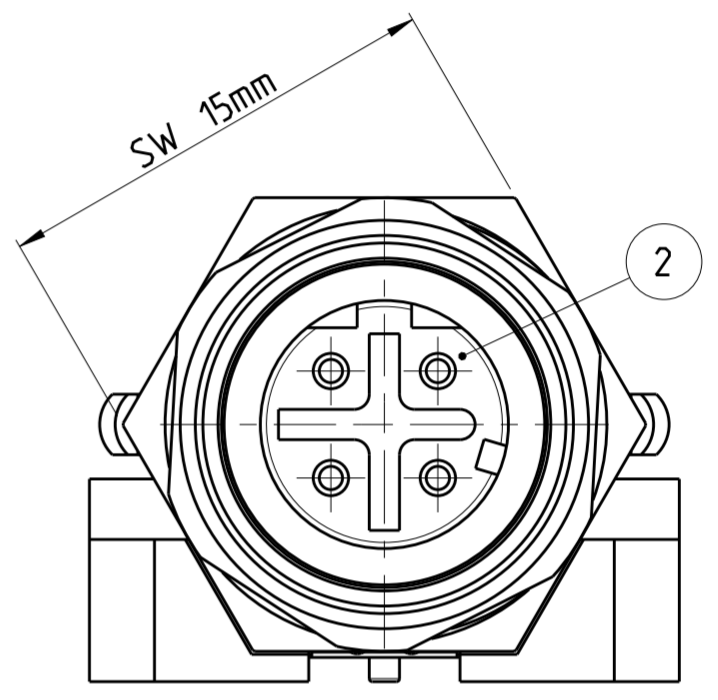
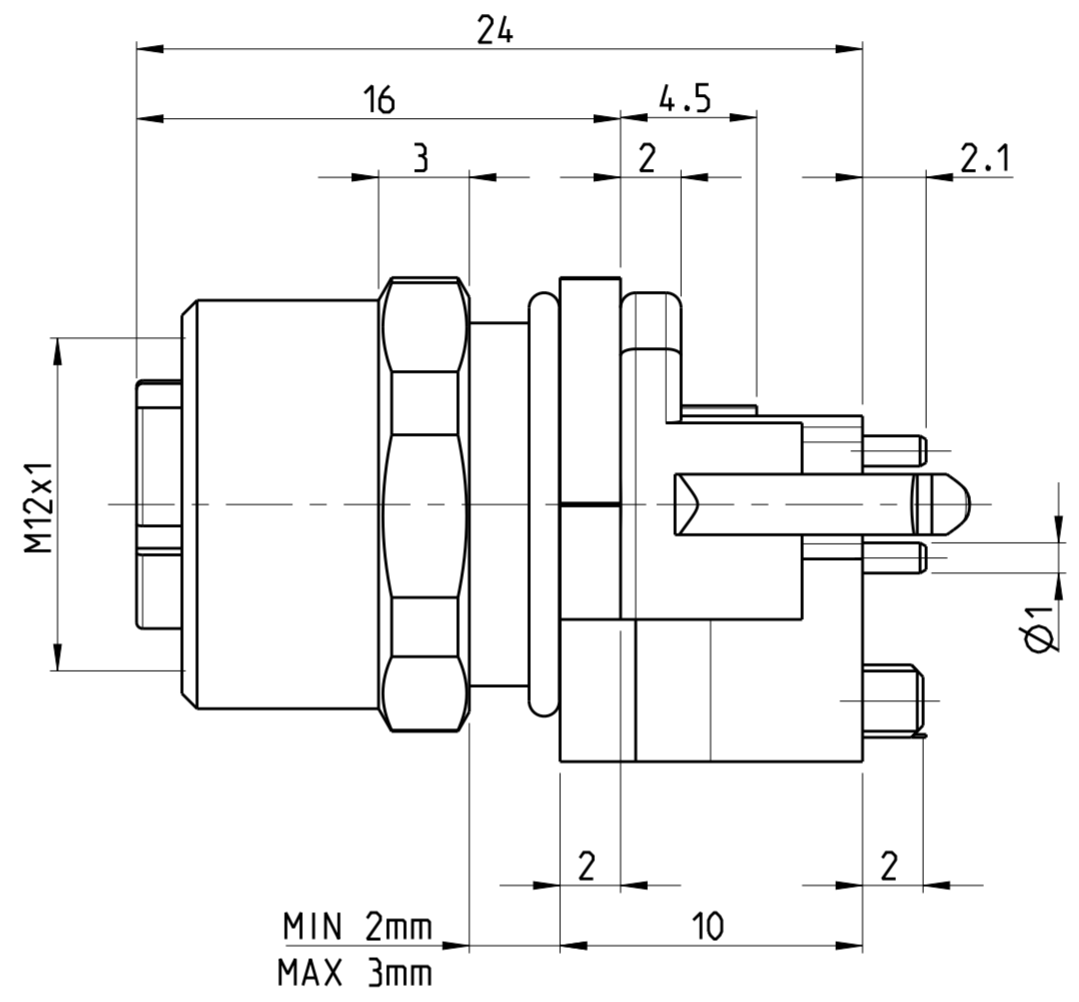
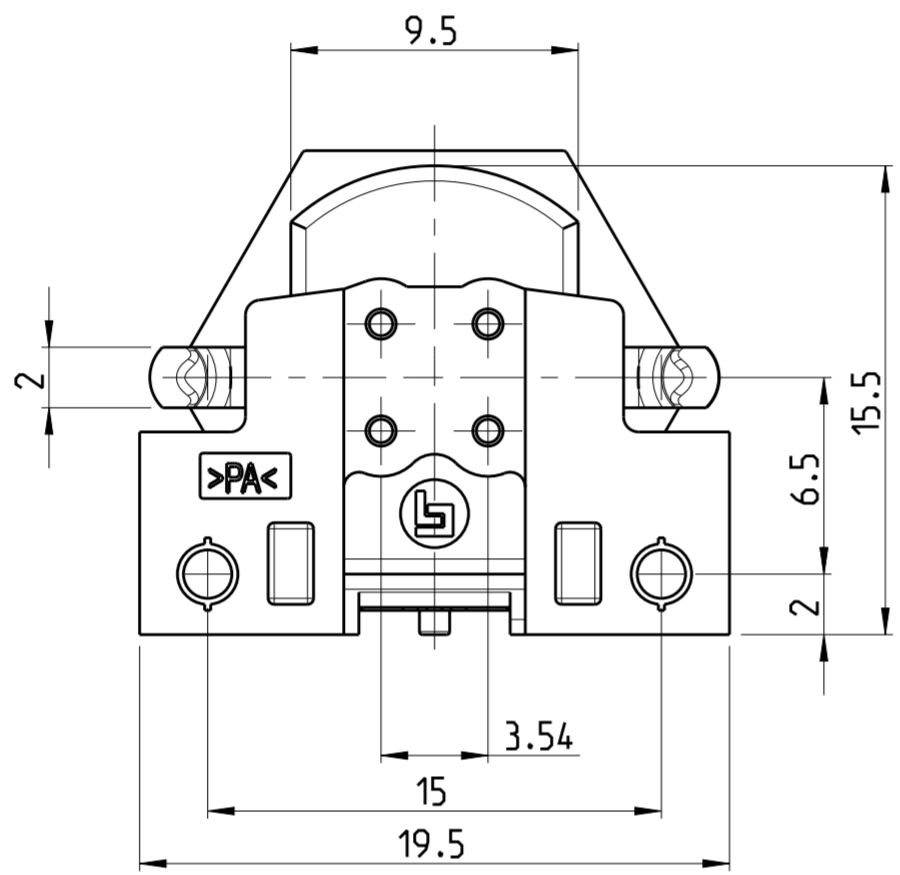


NOTES:

- 1 MATERIAL: ITEM NO. 1: HOUSING - CuZn (BRASS, NICKEL PLATED)
 ITEM NO. 2: CONTACT BODY - PA (GREEN)
 ITEM NO. 3: CONTACT CONTACT FINISH - CuSn (BRONZE) - AU (GOLD)

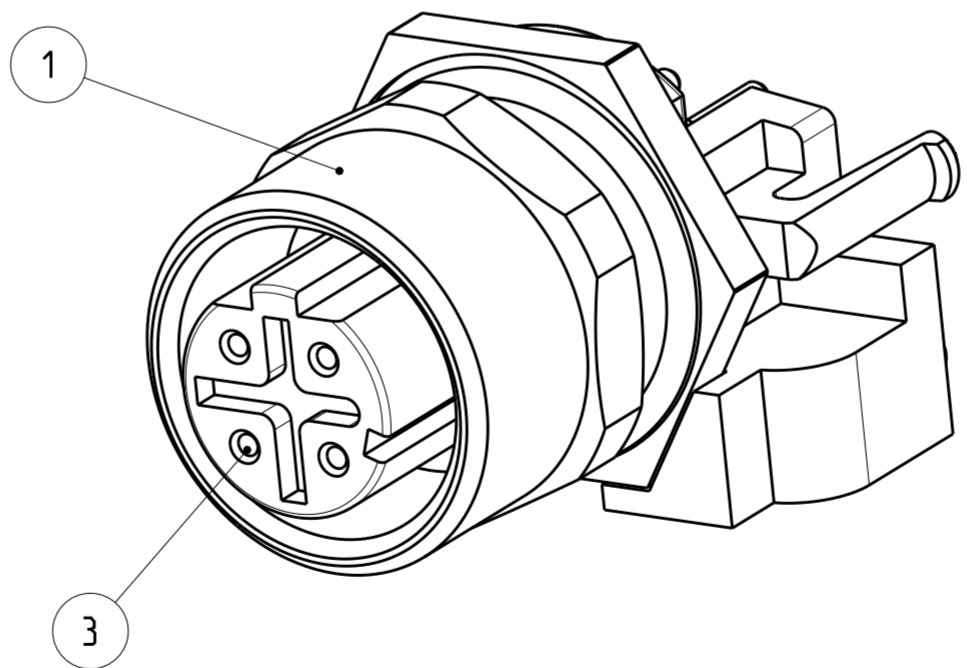
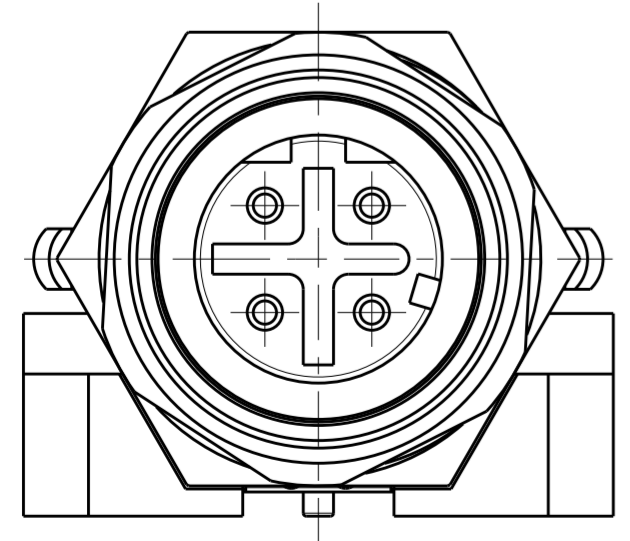
2 ALL DIMENSIONS ARE FOR NOMINAL REFERENCE ONLY UNLESS OTHERWISE STATED

TECHNICAL DATA	3-2172085-2
RATED VOLTAGE	250V
RATED IMPULSE VOLTAGE	2500V
POLLUTION DEGREE	3
OVERVOLTAGE CATEGORY	II
MATERIAL GROUP	II
RATED CURRENT	4A
VOLUME RESISTIVITY	≤ 3mΩ
DEGREE OF PROTECTION	IP67
UPPER TEMPERATURE	+85 °C
LOWER TEMPERATURE	+40 °C



PIN ARRANGEMENT D-CODING

3-2172085-2



SIZE ISO 14405 (E)

DIESE ZEICHNUNG IST EIN KONTROLLIERTES DOKUMENT. BEMASSUNGEN UND TOLERANZEN GEMAESS GPS (ISO STANDARDS).		DWN	13AUG2014
THIS DRAWING IS A CONTROLLED DOCUMENT. DIMENSIONING AND TOLERANCING PER GPS (ISO STANDARDS).		CHK	13AUG2014
DIMENSIONS: MASSEINHEITEN: (MM)		APVD	13AUG2014
TOLERANCES UNLESS OTHERWISE SPECIFIED: ALLGEMEINTOLERANZEN		NAME	M. BRUBAKER
0 PLC ±	1 PLC ±	PRODUCT SPEC	108-19483
2 PLC ±	3 PLC ±	APPLICATION SPEC	114-32127
4 PLC ±	ANGLES/WINKEL ±	VERARBEITUNGSSPEZ.	
FINISH/OBERFLÄCHE/FARBE		WEIGHT	-
SEE NOTES		Customer Drawing	

4	3-2172085-2
MATERIAL	TE-PART-NO.



NAME			
M12 RECEPTACLE, FEMALE, PCB MOUNT STRAIGHT, SHIELDED, STANDOFF, D-CODED			
SIZE	CAGE CODE	DRAWING NO. ZEICHNUNGS-NR.	RESTRICTED TO NUR FÜR
A2	00779	C-2172085	-
SCALE MASSSTAB	4:1	SHEET BLATT	1 OF 1
Customer Drawing	/KUNDENZEICHNUNG	REV	A