

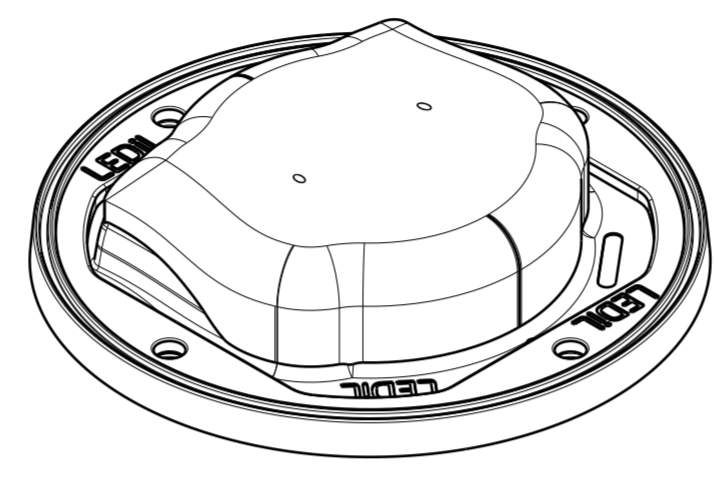
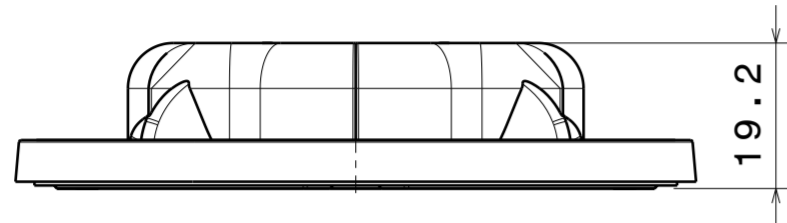
DETAILS

Product Number	FN15189_STELLA-DWC2
Family	STELLA
Type	Pack
Color	white
Diameter	90 mm
Height	19,25 mm
Style	round
Optic Material	Silicone
Holder Material	
Fastening	
Status	production ready
ROHS Compliant	Yes
Date Updated	15/02/2017

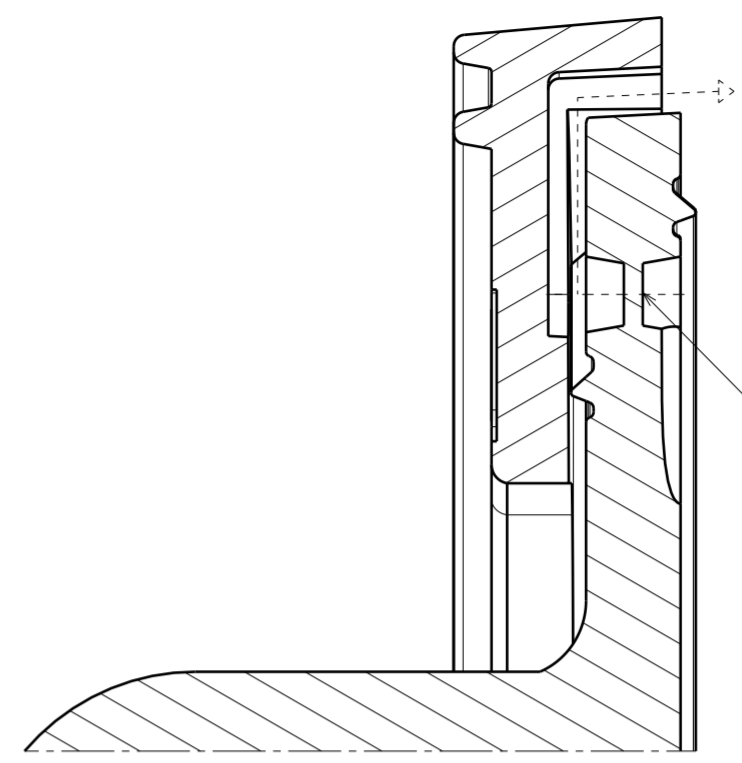


OPTICAL PROPERTIES

LED	Viewing	Light	Effi-		Connector
	Angle	Beam	ciency	cd/lm	
Vero SE 18	Asymmetric deg	Streetligh...	92 %	0.450	-
V10 Gen7	sim: Asymmetri	Streetligh...	sim: 89 %	sim: 0.530	Bender Wirth: 434 Typ Z1
V22 Gen7	sim: asym	Streetligh...	sim: 94 %	sim: 0.397	Bender Wirth: 431 Typ Z1
V13 Gen7	sim: Asymmetri	Streetligh...	sim: 94 %	sim: 0.497	Bender Wirth: 477 Typ Z1
V13 Gen7	sim: Asymmetri	Streetligh...	sim: 93 %	sim: 0.000	-
CXA/B 25xx	sim: Asymmetri	Streetligh...	sim: 89 %	sim: 0.430	-
MJT COB LES 22	Asymmetric deg	Streetligh...	91 %	0.370	Bender Wirth: 431 Typ Z1
MJT COB LES 14.5	asym deg	Streetligh...	89 %	0.500	-
MJT COB LES 14.5	asym deg	Streetligh...	91 %	0.500	Bender Wirth: 433 Typ Z1

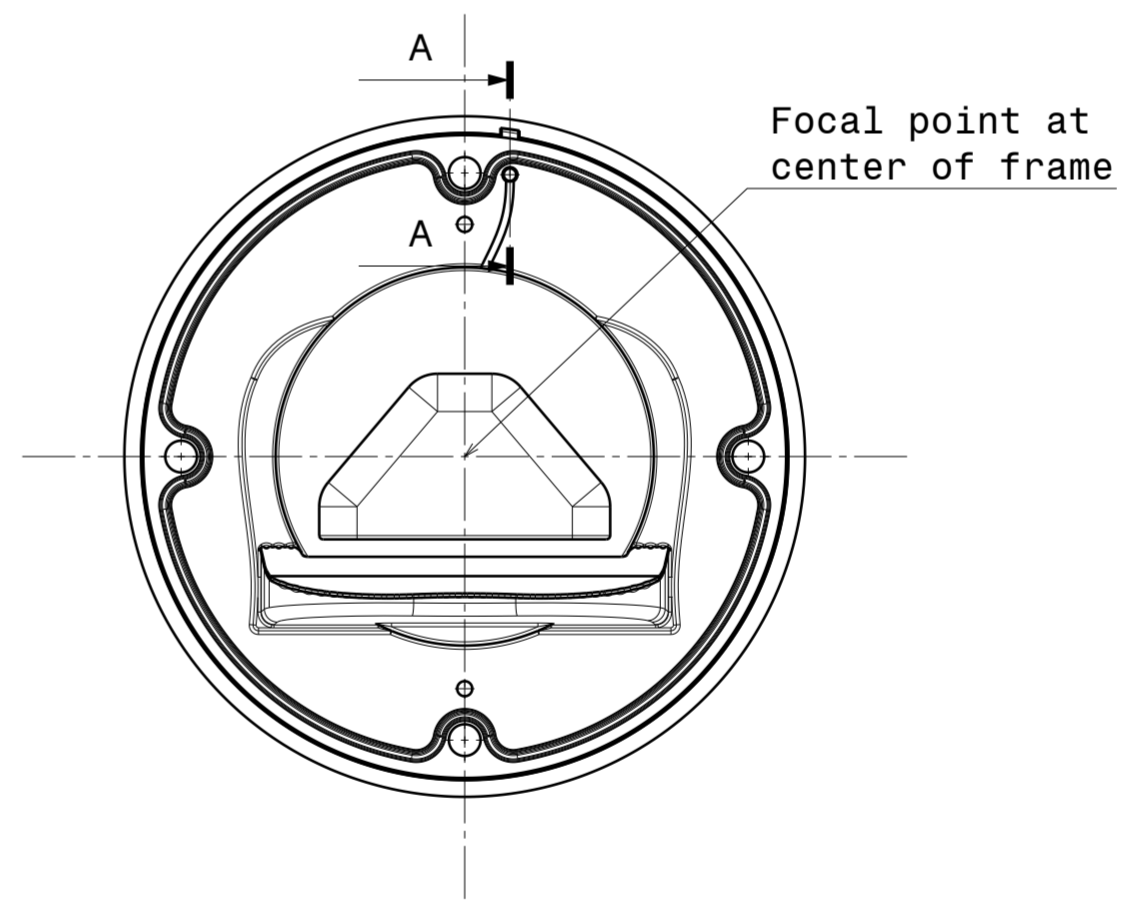
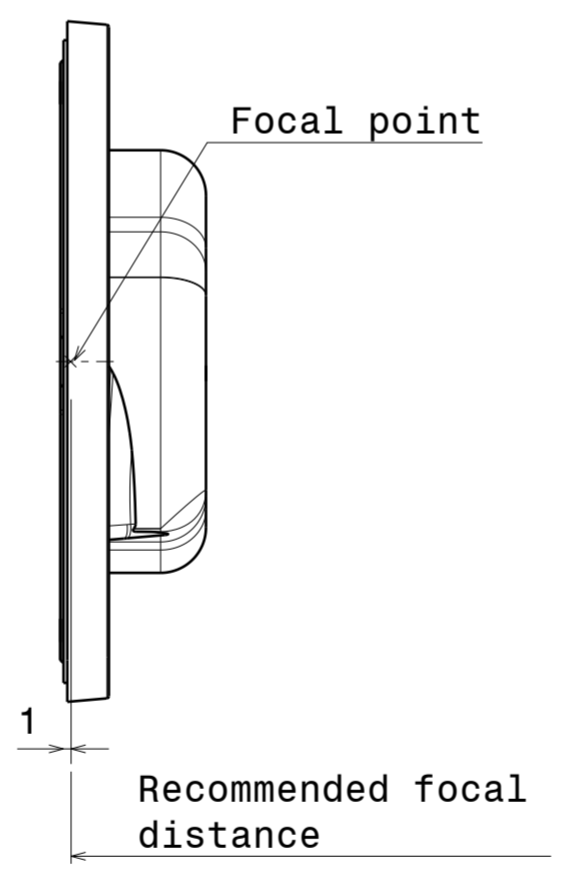
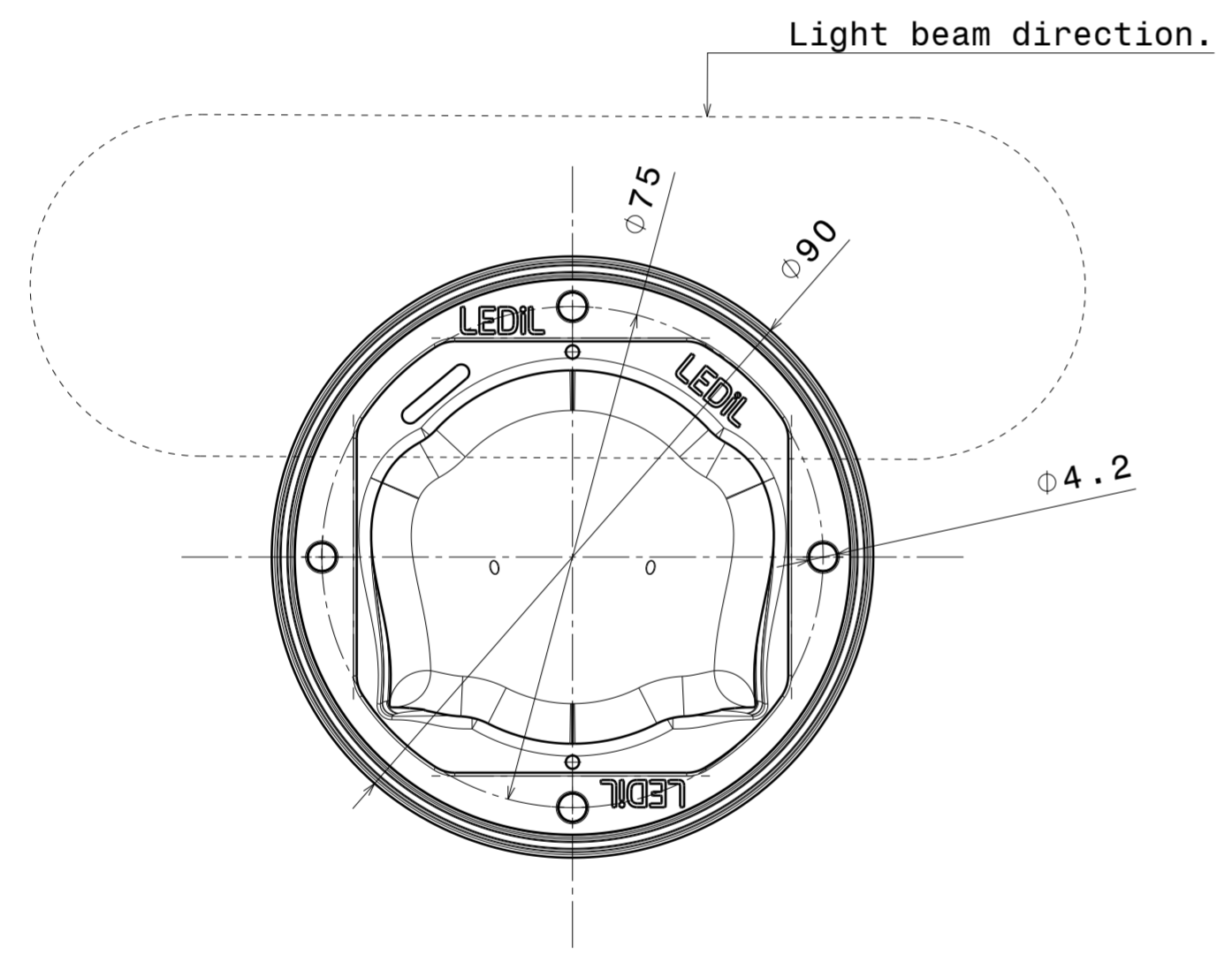


Isometric view
Scale: 1:1



Section view A-A
Scale: 5:1

Venting pipe:
Piercing this membrane
will Allow lens breathing



NOTE: Maximum recommended tightening torque for STELLA-FRAME is 0,4Nm

INDEX	PART NO	DESCRIPTION	MATERIAL	COLOUR
1	STELLA-DWC2	LENS	Optical grade LSR	
2	STELLA-DWC2	FRAME	PA66GF30	black/white

Tolerances if not otherwise shown
According to DIN ISO 2768-1
Linear measures: class V
Please note that due to the elasticity of products made of silicone actual measured values may vary, and therefore typical tolerance values may not be applied.

THIRD ANGLE PROJECTION:

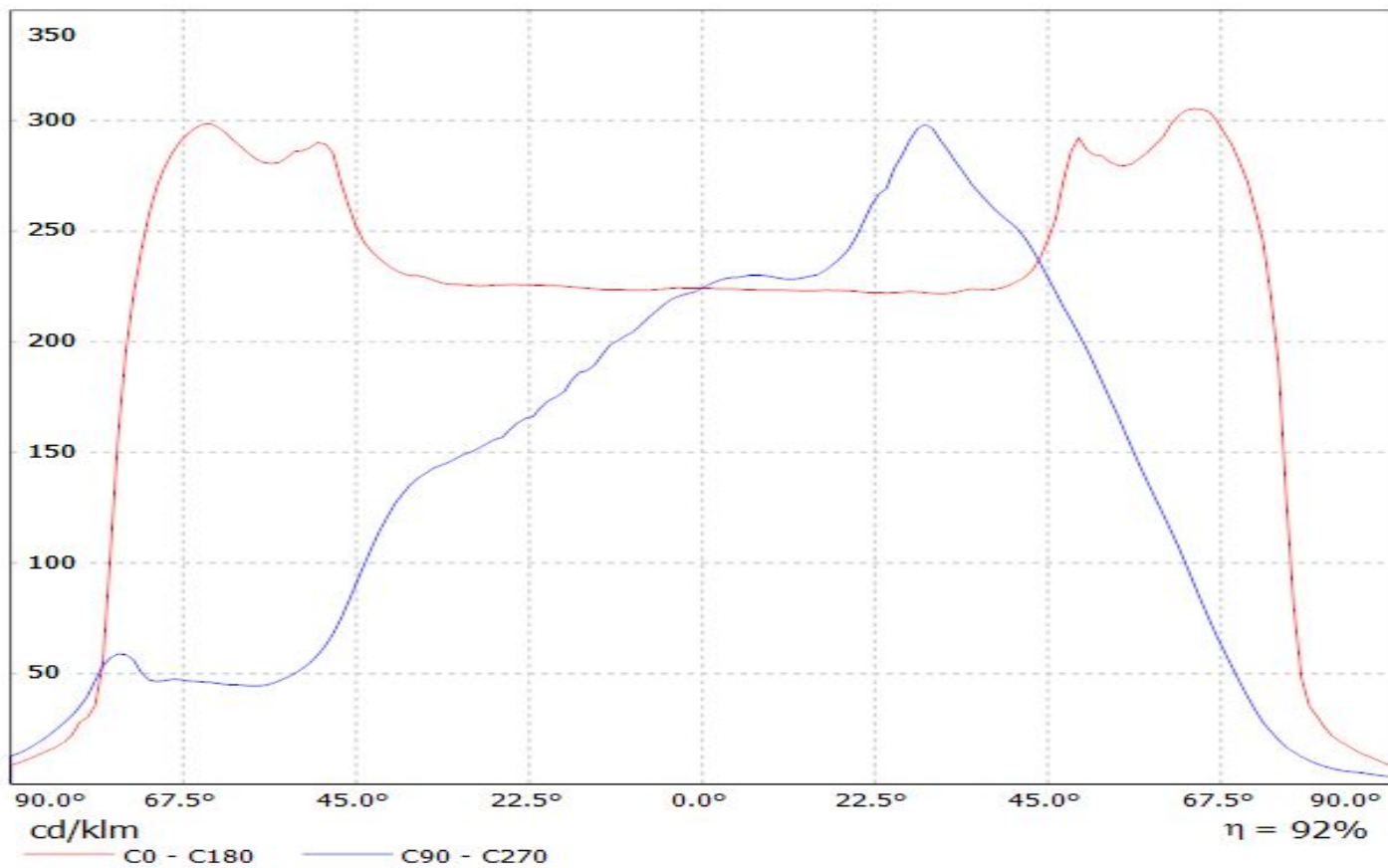
This drawing is the property of LEDiL Oy. It may not be reproduced, copied or communicated without a written agreement with LEDiL Oy.

LEDiL Ledil Oy
Salorankatu 10
FIN 24240 SALO
Finland

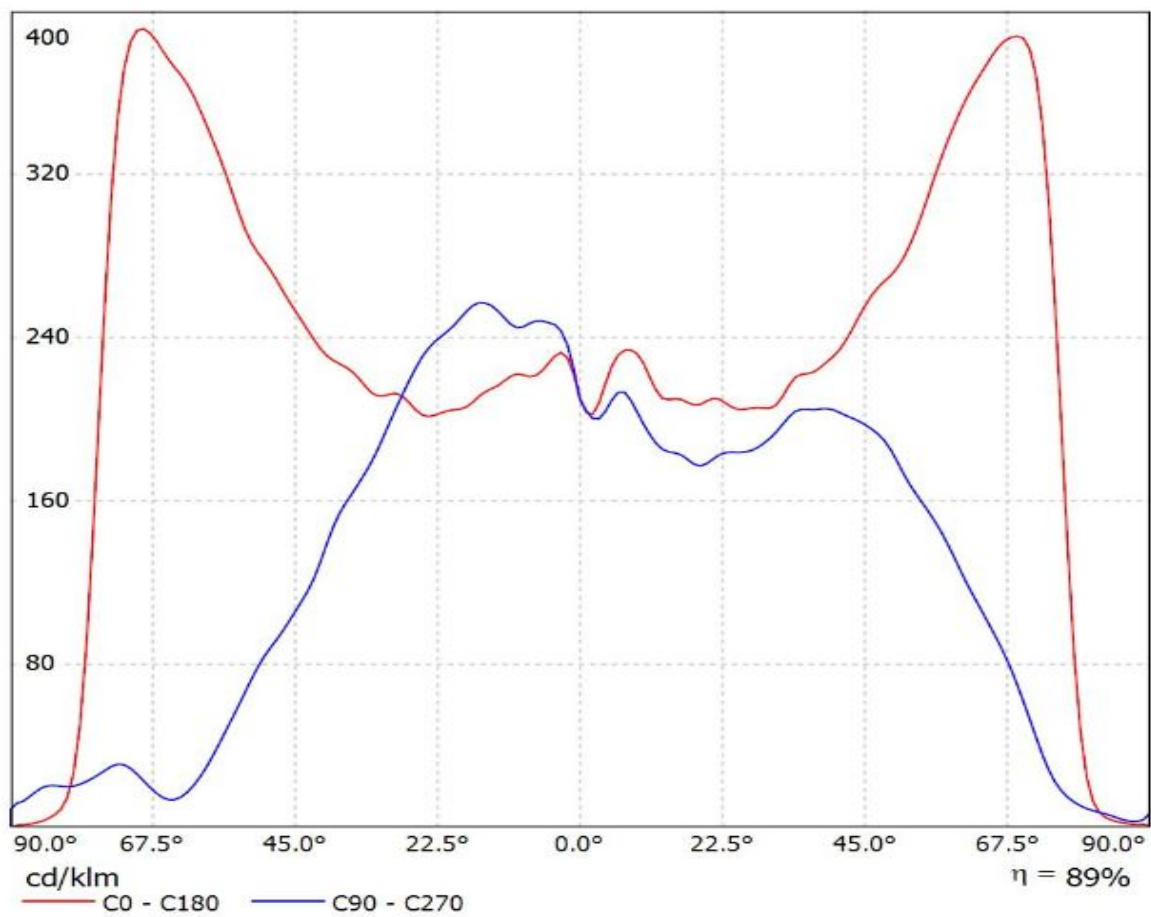
DRAWING TITLE
STELLA-DWC2 datasheet

SIZE	PART NUMBER
A2	FN14976
SCALE	1:1
WEIGHT	-
SHEET	1/1

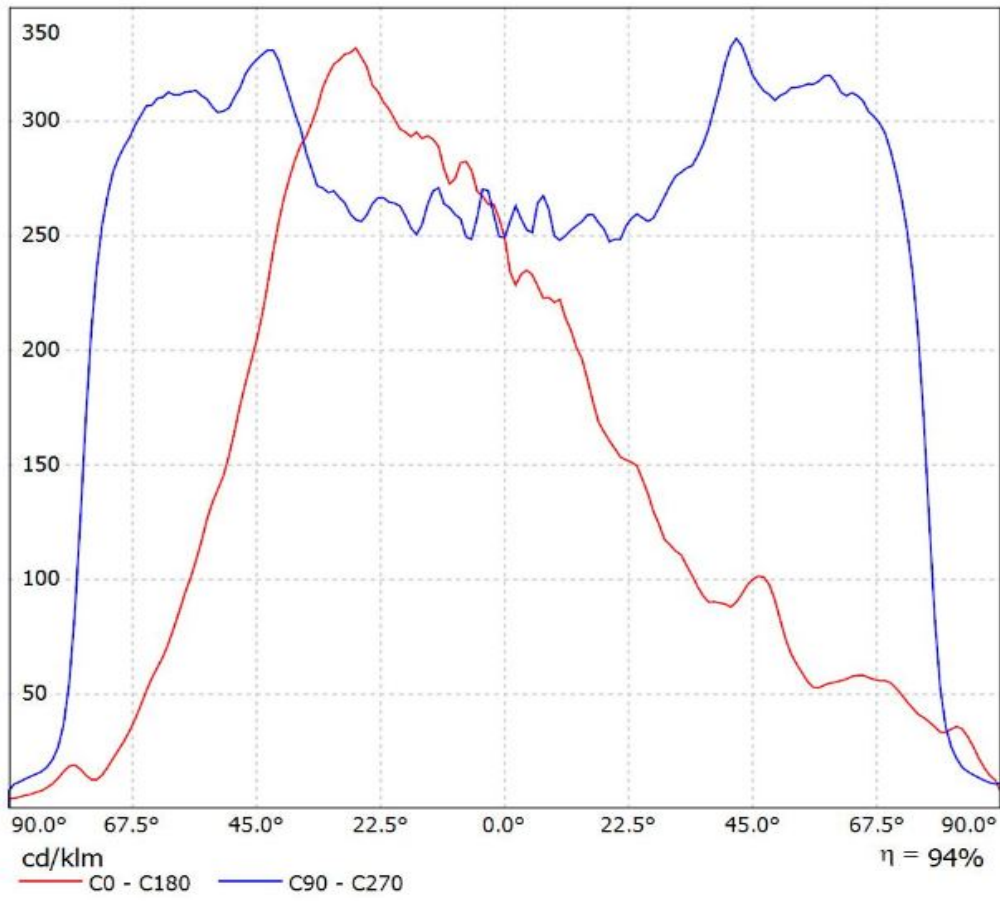
Luminaire: LEDiL Oy FN15189_STELLA-DWC2_(VERO18_SE)
Lamps: 1 x Bridgelux_VERO18_SE_(BXRC-30E4000-C-73-SE)
_1335.46lm@250mA_P=7.9961W_I=0.25A



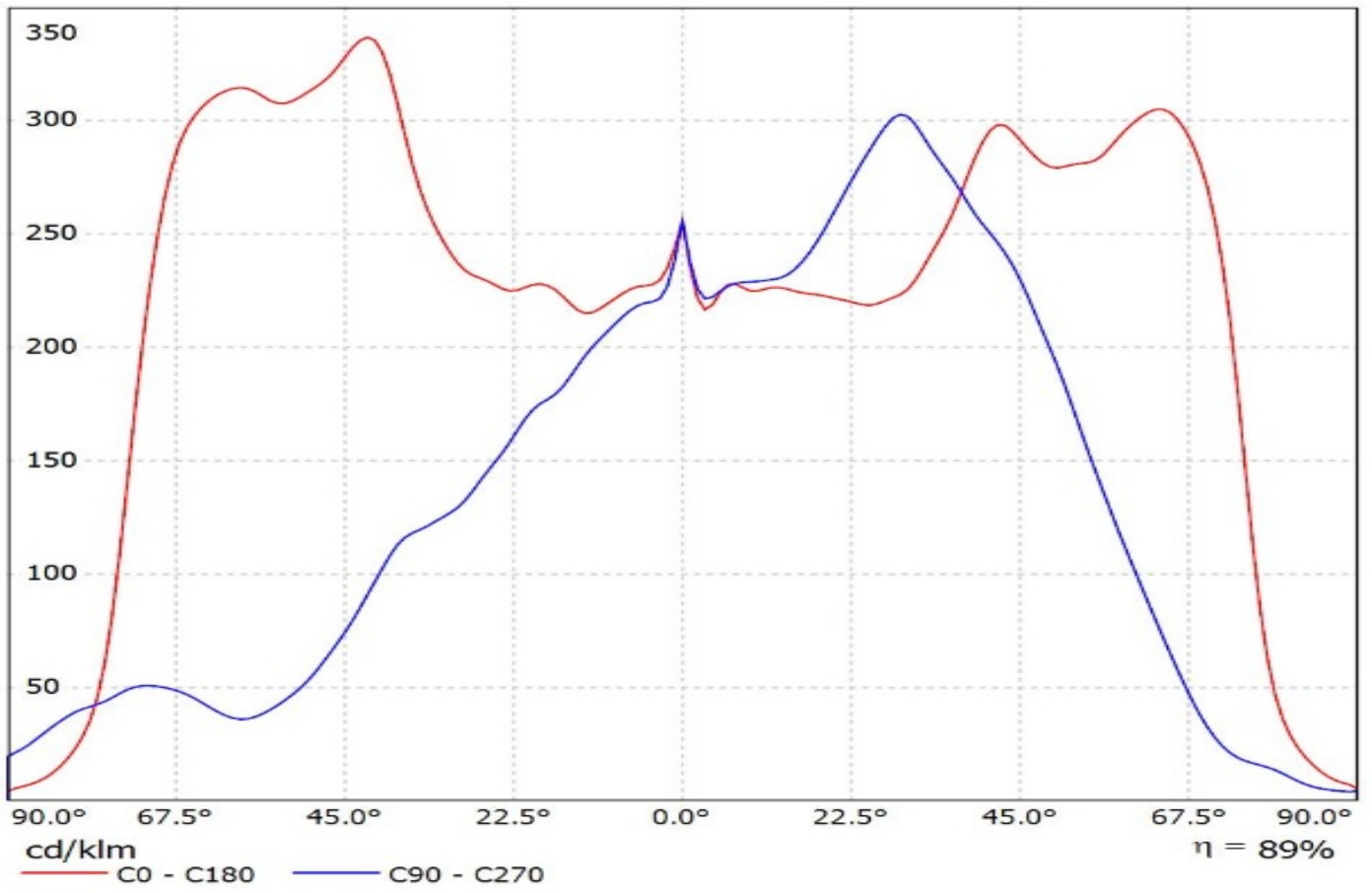
Luminaire: Ledil Oy FN14976_STELLA-DWC2+_Bender&Wirth - LED holder 434 Typ Z1_BRIDGELUX_V10_Gen7_SIMULATED
Lamps: 1 x BRIDGELUX V10 Gen7



Luminaire: Ledil Oy FN15189_STELLA-DWC2_Bridgelux_V22_Gen7_SIMULATED FN15189_STELLA-DWC2_Bridgelux_V22_Gen7_SIMULATED
Lamps: 1 x FN15189_STELLA-DWC2_Bridgelux_V22_Gen7_SIMULATED

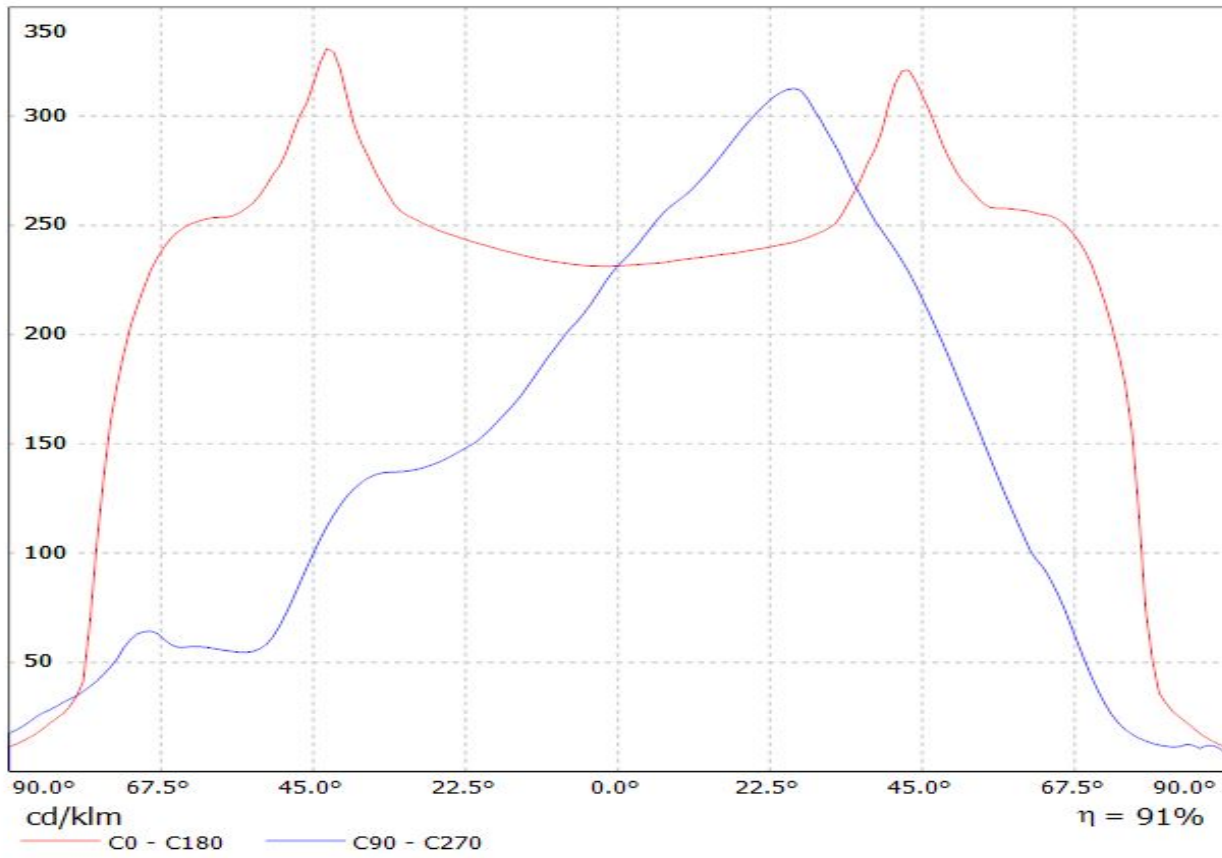


Luminaire: Ledil Oy FN15189_STELLA-DWC2_(CXA2590)_SIMULATED
Lamps: 1 x Cree CXA2590

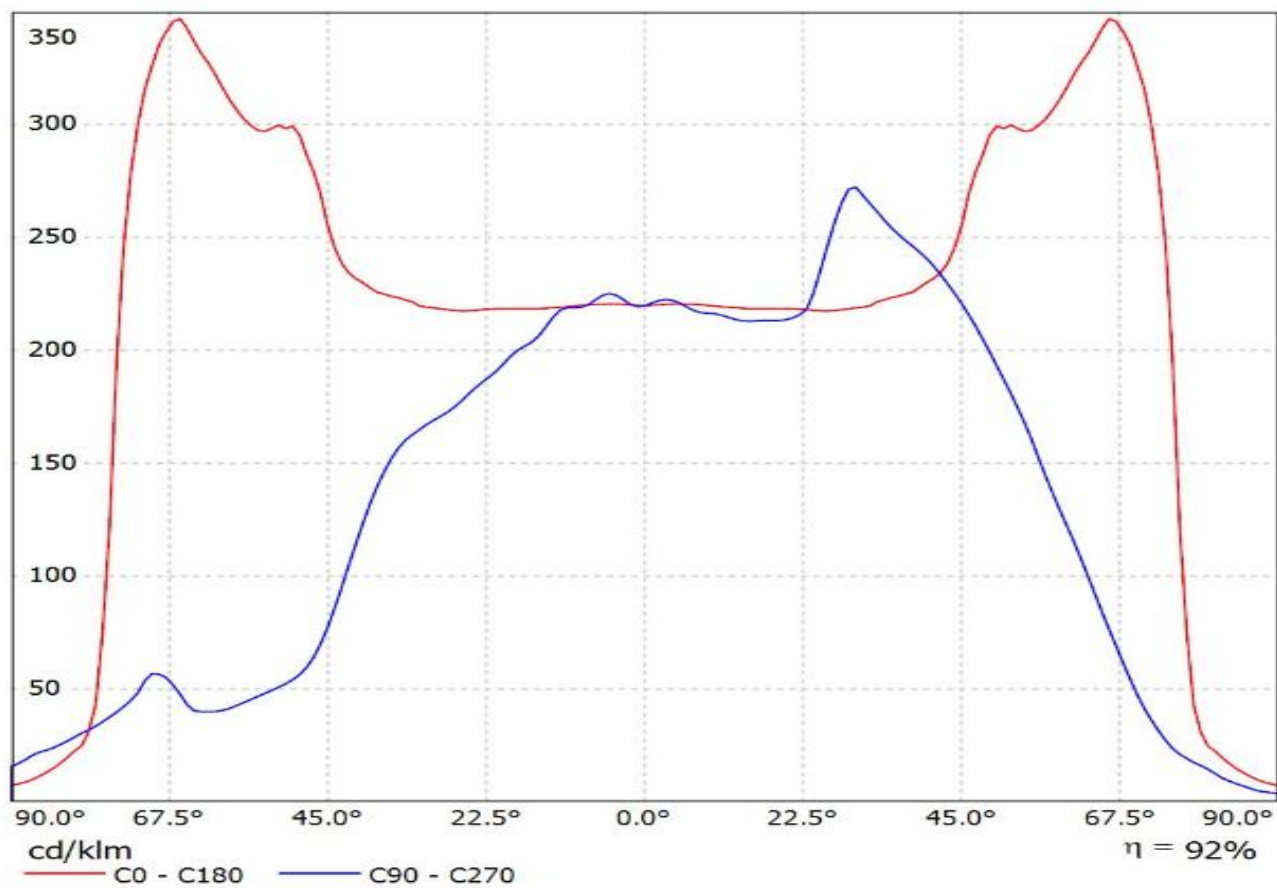


Luminaire: Ledil FN15189_STELLA-DWC2 (MJT_80W_Les22)_+431TypZ1

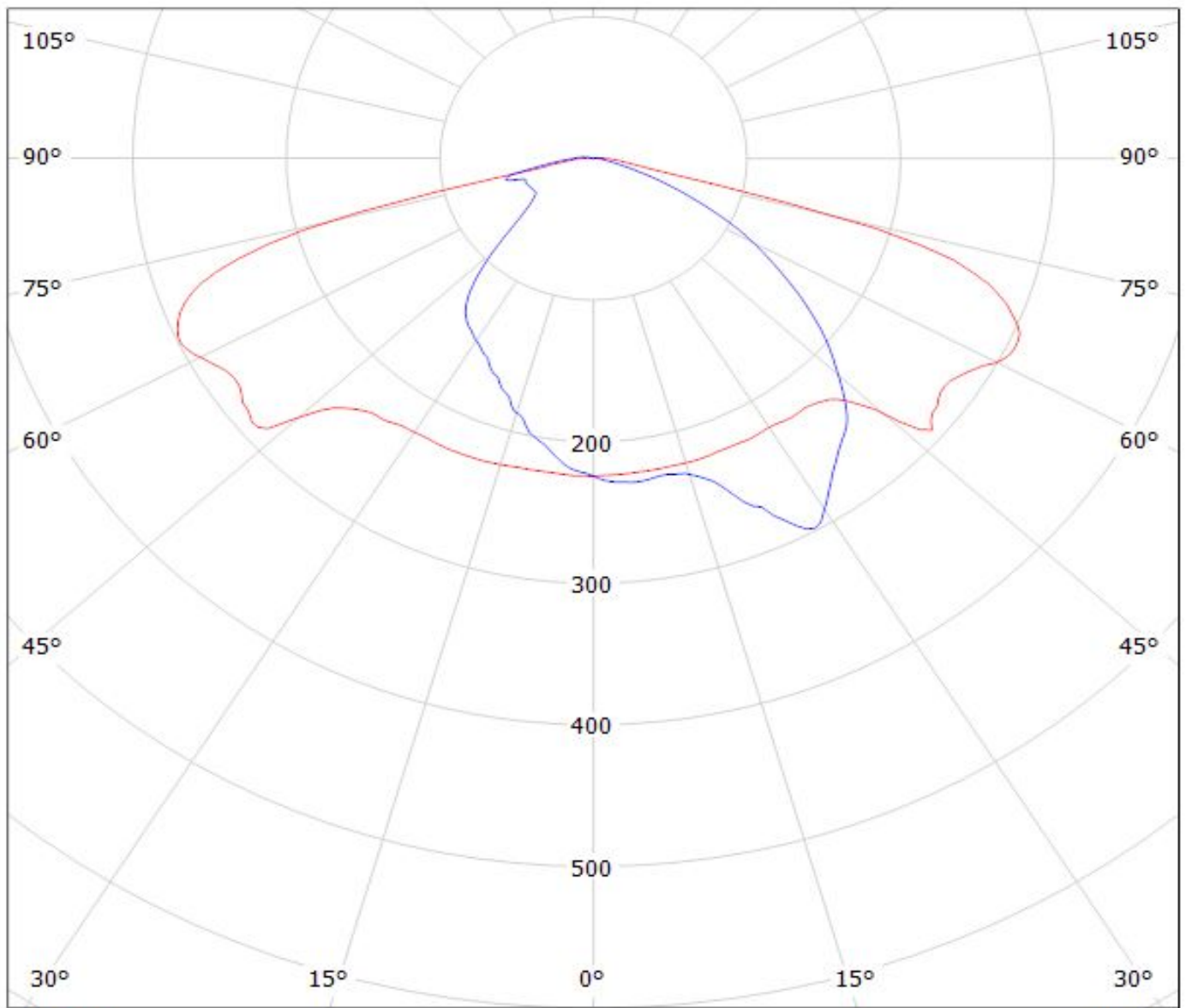
Lamps: 1 x Seoul_MJT_80W_Les22mm_(SAWx22AAA)_+431TypZ1_2501.46lm@250mA_P=13.317W_I=0.25A



Luminaire: Ledil FN15189_STELLA-DWC2_(MJT_30W_Les14,5)_+433_Typ_Z1
Lamps: 1 x Seoul_MJT_30W_Les14,5mm_(SAWx1566A)_433_Typ_Z1_1343.97lm@250mA_P=8.2295W_I=0.25A



Luminaire: LEDiL Oy FN15189_STELLA-DWC2_(VERO18_SE)
Lamps: 1 x Bridgelux_VERO18_SE_(BXRC-30E4000-C-73-SE)
_1335.46lm@250mA_P=7.9961W_I=0.25A



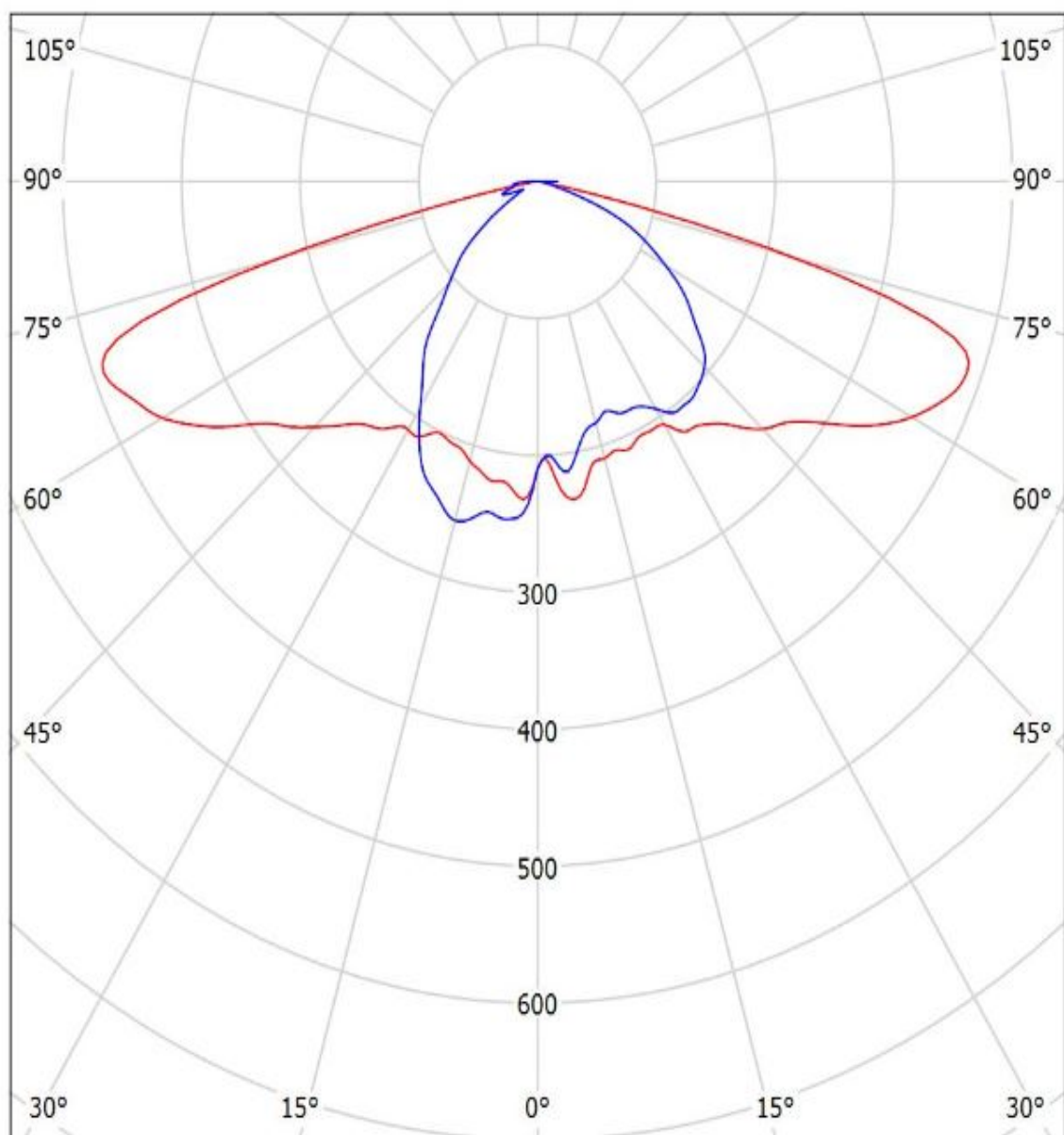
cd/klm

$\eta = 92\%$

— C0 - C180

— C90 - C270

Luminaire: Ledil Oy FN14976_STELLA-DWC2+_Bender&Wirth - LED holder 434 Typ Z1_BRIDGELUX_V10_Gen7_SIMULATED
Lamps: 1 x BRIDGELUX V10 Gen7

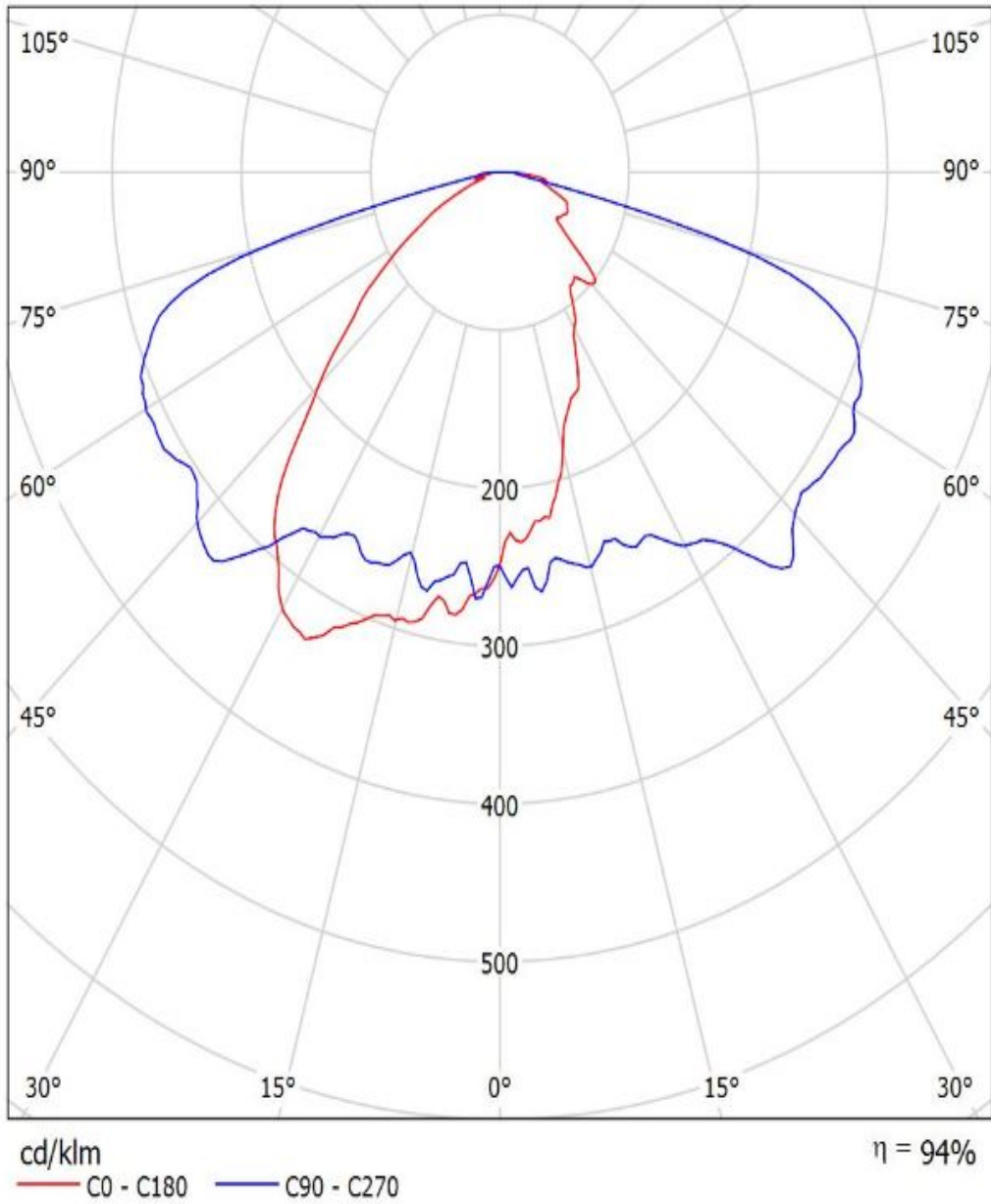


cd/klm

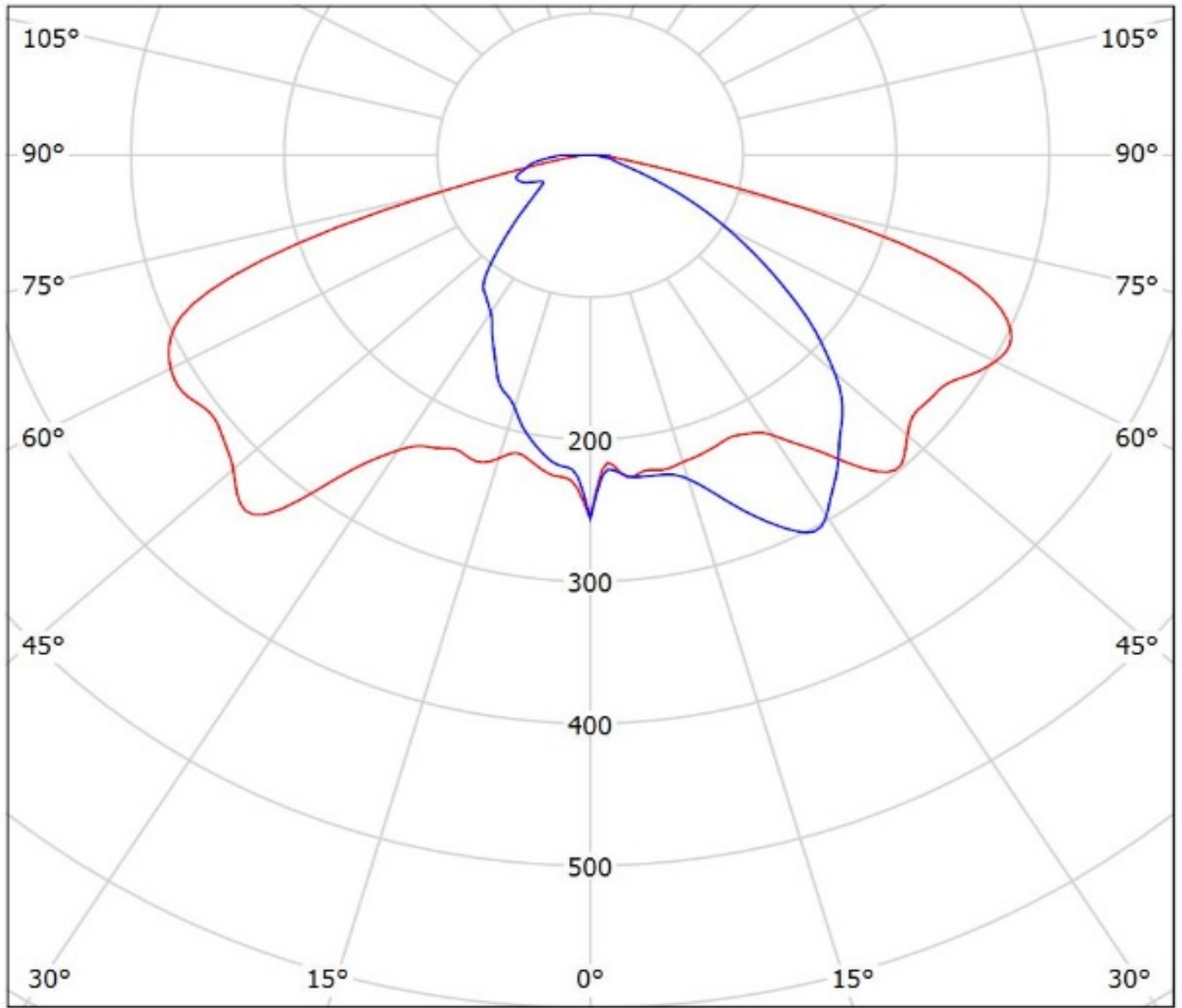
— C0 - C180 — C90 - C270

$\eta = 89\%$

Luminaire: Ledil Oy FN15189_STELLA-DWC2_Bridgelux_V22_Gen7_SIMULATED FN15189_STELLA-DWC2_Bridgelux_V22_Gen7_SIMULATED
Lamps: 1 x FN15189_STELLA-DWC2_Bridgelux_V22_Gen7_SIMULATED



Luminaire: Ledil Oy FN15189_STELLA-DWC2_(CXA2590)_SIMULATED
Lamps: 1 x Cree CXA2590



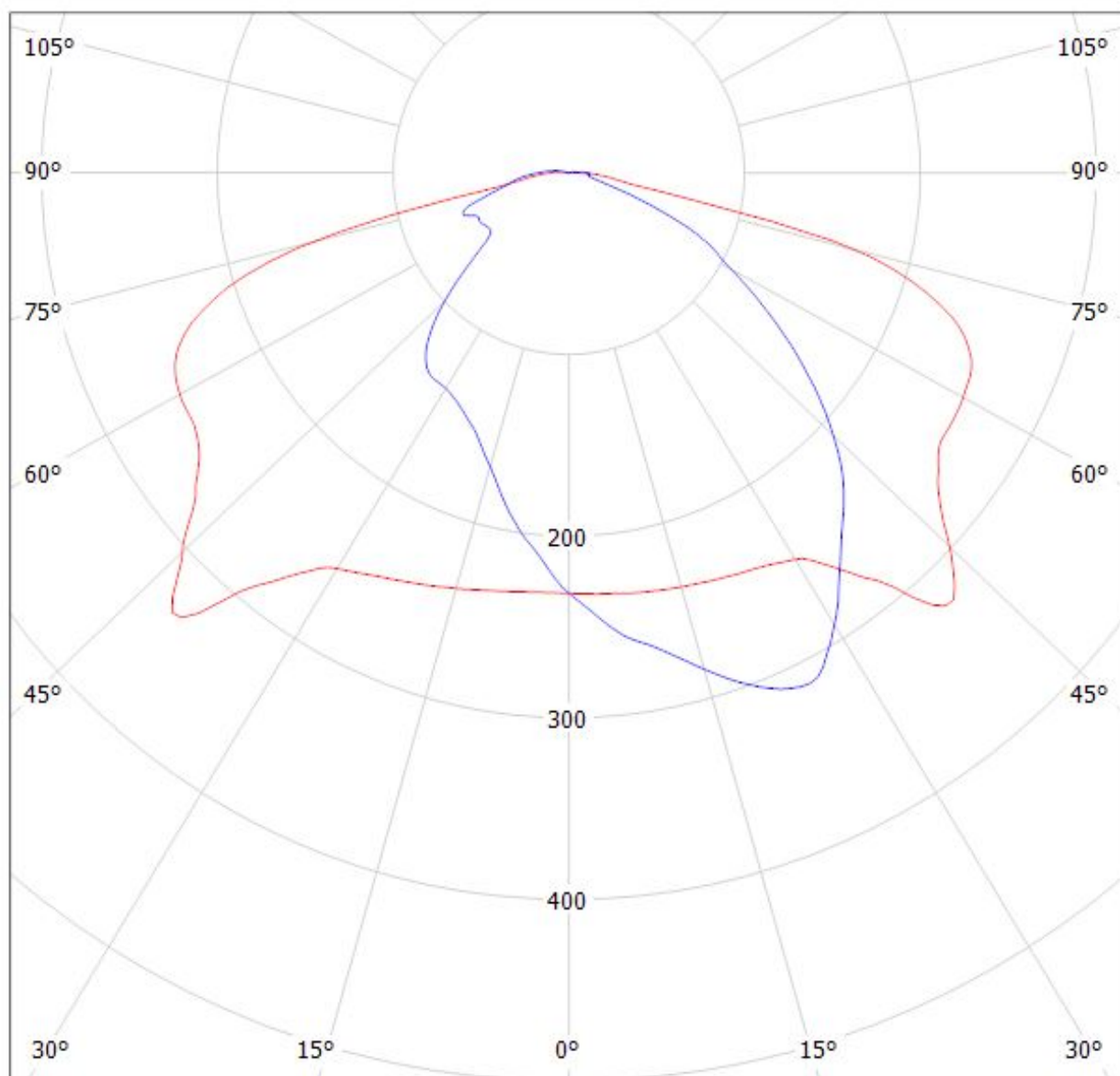
cd/klm

— C0 - C180 — C90 - C270

$\eta = 89\%$

Luminaire: Ledil FN15189_STELLA-DWC2_(MJT_80W_Les22)_+431TypZ1

Lamps: 1 x Seoul_MJT_80W_Les22mm_(SAWx22AAA)_+431TypZ1_2501.46lm@250mA_P=13.317W_η=0.25A



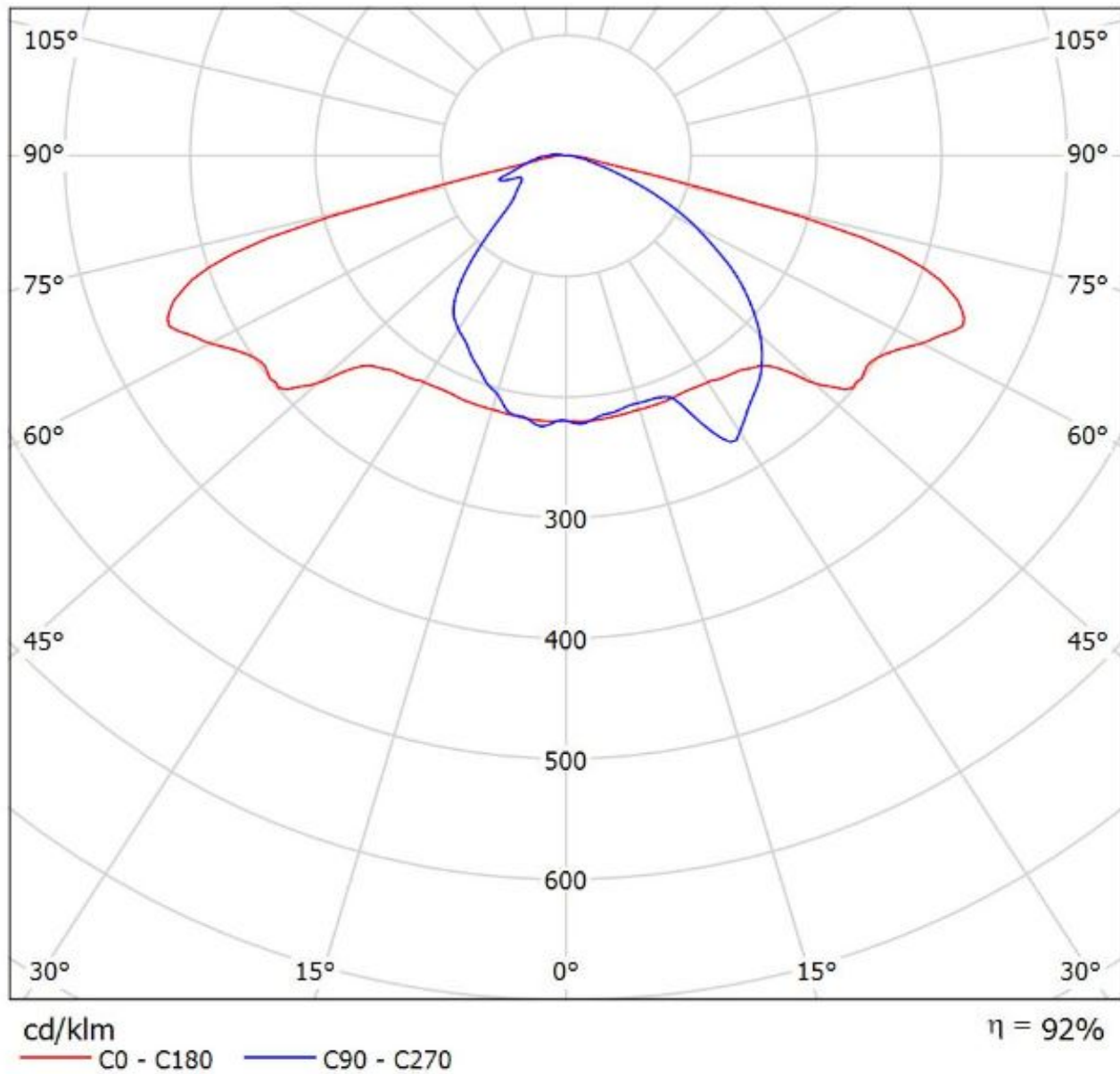
cd/klm

η = 91%

— C0 - C180 — C90 - C270

Luminaire: Ledil FN15189_STELLA-DWC2_(MJT_30W_Les14,5)_+433_Typ_Z1

Lamps: 1 x Seoul_MJT_30W_Les14,5mm_(SAWx1566A)_433_Typ_Z1_1343.97lm@250mA_P=8.2295W_I=0.25A



NOTE: The typical divergence will be changed by different color, chip size and chip position tolerance. The typical total divergence is the full angle measured where the luminous intensity is half of the peak value.

GENERAL INFORMATION

- Product series especially designed & optimized for series of LEDs.
- Special care taken to make light distribution as uniform as possible.

Note! Due to use of high power COB's with this product, special attention to proper thermal design is highly recommended. LEDiL has no liability for direct, indirect or consecutive damages arising from the LEDiL products being used outside of the recommended temperature range.