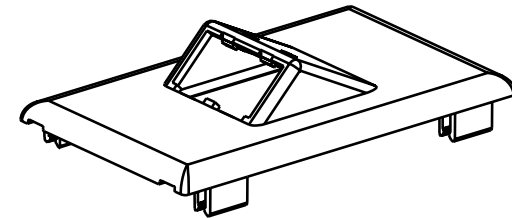
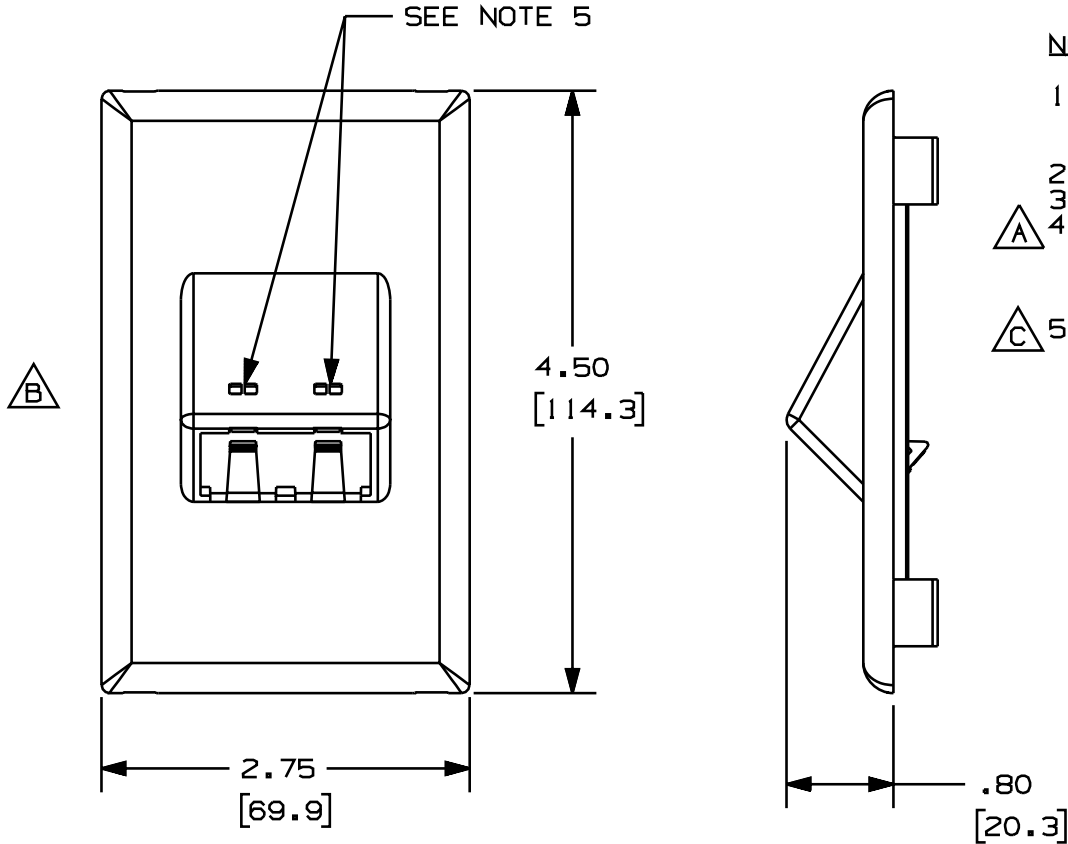


THIS COPY IS PROVIDED ON A RESTRICTED BASIS AND IS NOT TO BE USED IN ANY WAY DETRIMENTAL TO THE INTERESTS OF PANDUIT CORP.

PANDUIT P/N	WEIGHT
T70FV2	.77 LB/10 PCS (350 g/10 PCS)

NOTES:

1. SEE CURRENT CATALOG FOR ADDITIONAL PART SUFFIXES TO INDICATE COLOR AND OR PACKAGE QUANTITY.
2. THE T70FV2 ACCEPTS TWO (2) MINI-COM MODULES.
3. DIMENSIONS IN PARENTHESIS ARE IN METRIC.
4. THE T70FV2 FACEPLATE CAN BE USED WITH PANDUIT SURFACE RACEWAY SYSTEMS AND BOXES THAT ACCEPT 70mm SNAP-ON FACEPLATES (INCLUDES: T-70, TWIN-70, TE70, TG-70, ETC.)
5. PANDUIT PART NUMBERS CIP**C AND CID**C TO BE USED WITH ICON POCKETS.



CAD FILENAME/LAYERS D37245BE_DC_T70PB1_00C.prt

PANDUIT CORP. TINLEY PARK, ILLINOIS

TWO MINI-COM MODULE VERTICAL SLOPED SNAP-ON FACEPLATE (T70FV2) CUSTOMER DRAWING

UNLESS OTHERWISE SPECIFIED, DIMENSIONAL TOLERANCES ARE:
 (.X) : (.XXX) :
 (.XX) : .031.81 ANGLES :

UNLESS OTHERWISE SPECIFIED, ALL DIMENSIONS ARE GIVEN IN INCHES, THIRD ANGLE PROJECTION.

REV	DATE	BY	CHK	DESCRIPTION	ECN	R	CUST	SUP
2	4-14-00	MSC	HIW	C. ADDED NOTE 5. B. REVISED GEOMETRY TO INCLUDE ICON POCKETS.	37245-05	HIW	HIW	
1	3/2/00	JHNUH	HIW	A. ADDED NOTE 4	37245-05	HIW	HIW	
R	9/7/99	DW	CEO	RELEASED TO PRODUCTION	37245-05	HIW	HIW	

DRAWN BY	DW	MAT'L:	PVC
DATE	8/11/99		
CHK'D	HIW		

SCALE	NONE
DRAWING NO.	37245-05
DWG SIZE	A