

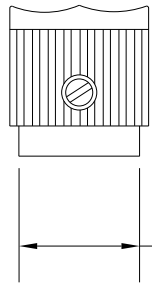
PART NAME: KNOB      SCALE: 1:1      DATE: 1/23/85      DR. BY HD

THIS DRAWING IS THE PROPERTY OF DAVIES MOLDING COMPANY, IS SUBMITTED SOLELY AS A DESIGN OR ENGINEERING PROJECT. WE ACCEPT NO RESPONSIBILITY WHATSOEVER FOR THE PRACTICAL APPLICATION OF THE PIECES MADE TO THIS DESIGN.

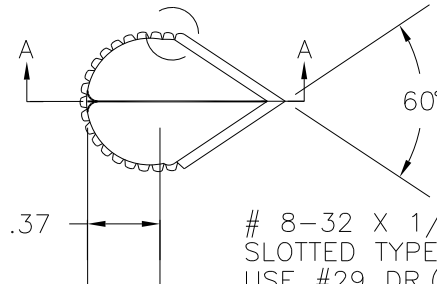


DESIGNERS & MANUFACTURERS OF KNOBS, HANDLES, CASES & CUSTOM PLASTIC COMPONENTS

P/N 8005  
 BASE PART 8005-01  
 SET SCREW I0357

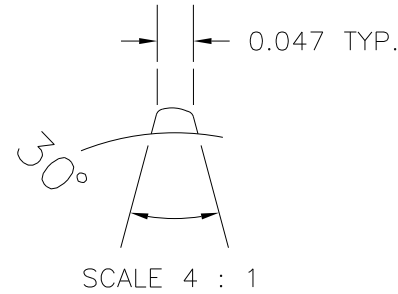


0.63 DIA.



.37

60°

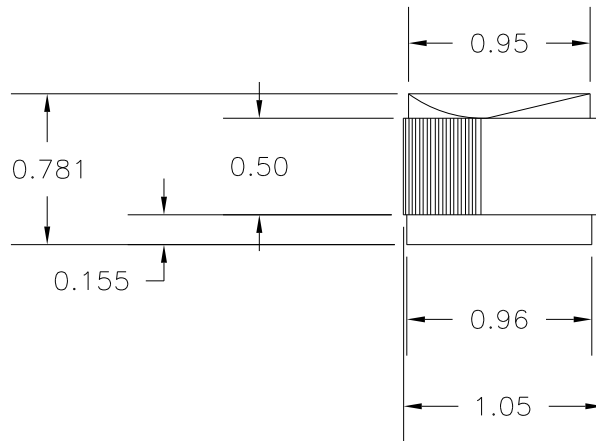


30°

0.047 TYP.

SCALE 4 : 1

# 8-32 X 1/4 LG. CUP POINTED, HEADLESS, SLOTTED TYPE, SET SCREW I0357,(1) USE #29 DR.(.136 DIA),#8-32 TAP.



0.781

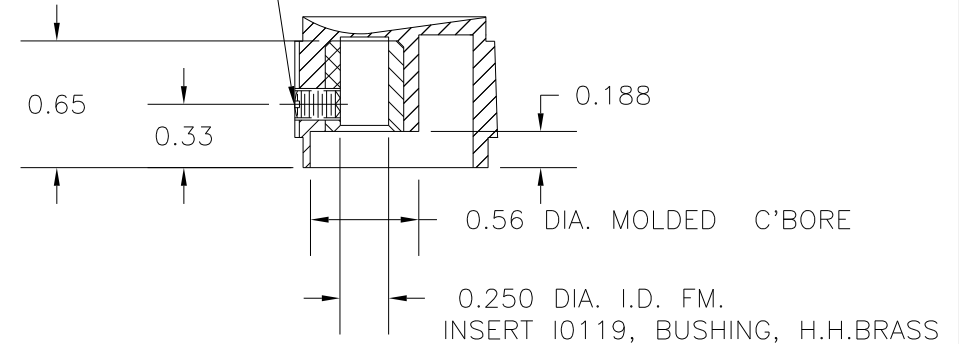
0.50

0.155

0.95

0.96

1.05



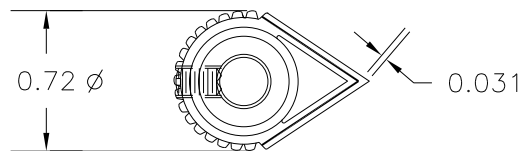
0.65

0.33

0.188

0.56 DIA. MOLDED C'BORE

0.250 DIA. I.D. FM. INSERT I0119, BUSHING, H.H.BRASS



0.72  $\phi$

0.031

MATERIAL: ABS (BE1)  
 COLOR: BLACK

TOLERANCES: UNLESS OTHERWISE SPECIFIED	DO NOT SCALE DRAWING			
DECIMALS: X.XXX $\pm$ .005 X.XX $\pm$ .015	MM: X.XX $\pm$ 0.15MM X.X $\pm$ 0.4MM	-	UPDATED TOOLBOX	JAM 11/19/02
FRACTIONS $\pm$ 1/64	ANG. $\pm$ 1°	CHANGES		