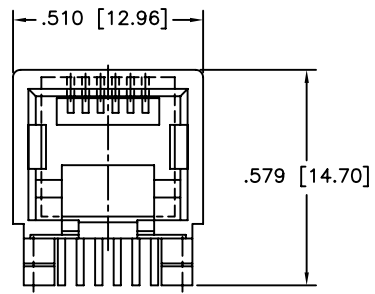
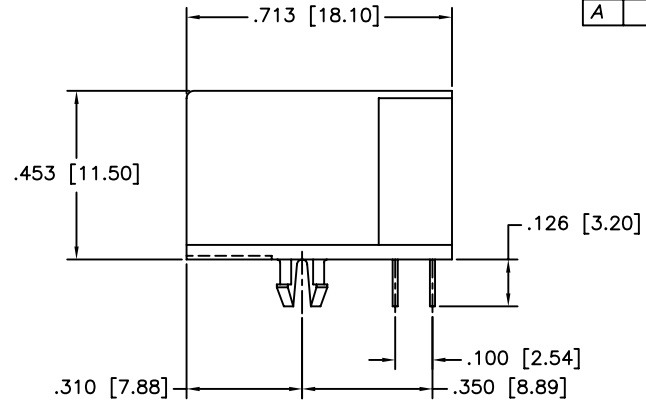


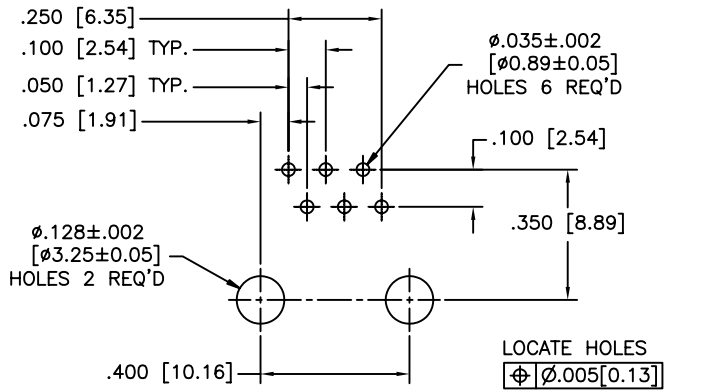
REVISIONS				
SYM	ZONE	ECN, ERN NO.	DATE	APPRD.
A		PROPOSAL	05/12/22	LCHAN



FRONT VIEW



SIDE VIEW



RECOMMENDED P.C.B. LAYOUT  
(COMPONENT SIDE OF BOARD)

LOCATE HOLES  
 $\text{Ø} \text{ } \text{Ø}.005 [0.13]$   
 POSITION DIMENSIONS  
 ARE BASIC

**MATERIALS:**

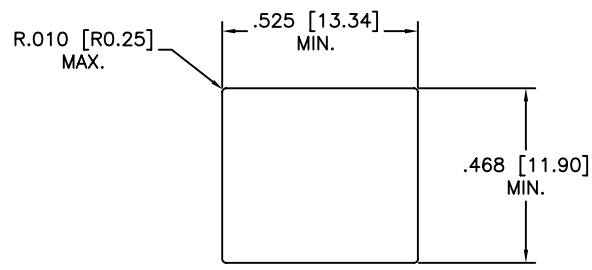
PLASTIC HOUSING: HIGH TEMPERATURE THERMOPLASTIC  
 FLAMMABILITY RATING UL94V-0

**CONTACTS:**

PHOSPHOR BRONZE  
 PLATING: REFER PART NUMBER FOR GOLD  
 THICKNESS ON MATING SURFACES.  
 50  $\mu$ " [1.27 MICRONS]  
 MIN. NICKEL UNDERPLATE.  
 100  $\mu$ " [2.54 MICRONS]  
 MIN. MATTE TIN OR GOLD FLASH ON CONTACT TAILS.

PART NUMBER: RJE05-166-0X10

GOLD PLATING  
 1 = 6  $\mu$ INCH  
 2 = 15  $\mu$ INCH  
 3 = 30  $\mu$ INCH  
 4 = 50  $\mu$ INCH



RECOMMENDED PANEL CUTOUT

THIS DOCUMENT CONTAINS PROPRIETARY INFORMATION AND SUCH INFORMATION  
 MAY NOT BE DISCLOSED TO OTHERS FOR ANY PURPOSE OR USED FOR MANUFACTURING  
 PURPOSES WITHOUT WRITTEN PERMISSION FROM AMPHENOL CANADA CORP.

DRAWN <i>Chigow</i>	DATE 05/12/22
DESIGNED	
CHECKED <i>PAULW</i>	05/12/22
I. E. APPRD.	
Q. A. APPRD.	
DWG. APPRD.	
ENG. REL. NO.	
REF.	
DIMENSIONS ARE IN	CODE ID. NO.
mm	03554

<b>Amphenol Canada Corp.</b>	
TITLE RJE05 SERIES MODULAR JACK, 6 POSITION, 6 CONTACTS, UNSHIELDED, ULTRA LOW PROFILE-ROHS COMPLIANT	
DWG	DRAWING NO. P-RJE05-166-0X10
REV.	A
SCALE	WT. _____ SURF. _____ SHEET 1 OF 1