



On when
it counts.



Application

- Main power indication
- Remote power indication
- Status indication
- Maintenance and warning indication
- Instrumentation

...and many more!

Certifications & Ratings

- RoHS compliant

Features & Benefits

- Low power consumption - uses up to 90% less energy than an incandescent indicator
- No heat generated
- Long life, lasting up to 100K hours
- Colors include red, green, orange, and blue
- Front panel mounting

Mechanical Information:

Mounting hole size:	0.492" (12.5mm)
Max panel thickness:	0.236" (6.3mm)
Mounting torque:	0.217 lbs/ft (3 kg/cm)

Electrical Specifications:

Operating voltage:	6, 12 & 24VDC (no resistor required)
Operating temperature:	-4°F to +167°F (-20°C to +75°C)
Storage temperature:	-40°F to +212°F (-40°C to +100°C)
Electrical connection:	Solder terminals and wire leads

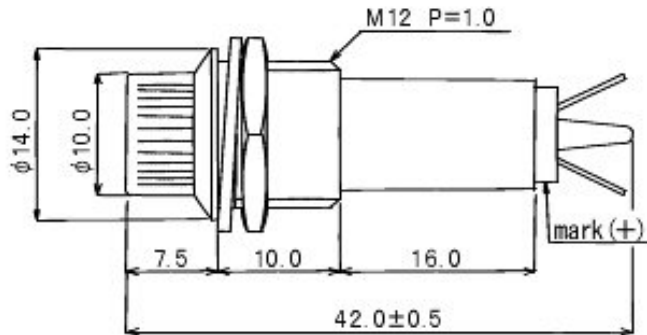
Construction:

Housing:	Polycarbonate
-----------------	---------------

All values typical unless otherwise stated



Panel Mount Indicator Dimensions



Dimensions are in mm

Part Number	Color	Voltage (VDC)	Current (mA)	Typical Intensity (mcd)
682-3132-121F	RED	6	20	510
682-3232-122F	GREEN	6	20	2225
682-3332-123F	ORANGE	6	20	510
682-3432-124F	BLUE	6	20	260
682-3132-131F	RED	12	20	510
682-3232-132F	GREEN	12	20	2225
682-3332-133F	ORANGE	12	20	510
682-3432-134F	BLUE	12	20	260
682-3132-141F	RED	24	20	510
682-3232-142F	GREEN	24	20	2225
682-3332-143F	ORANGE	24	20	510
682-3432-144F	BLUE	24	20	260

*For wire leads replace the 7th digit with "5". For example 678-1115-321F

Dialight reserves the right to make changes at any time in order to supply the best product possible. The most current version of this document will always be available at: www.dialight.com/Assets/Brochures_And_Catalogs/Illumination/MDEL682CR.pdf

Warranty Statement: EXCEPT FOR THE WARRANTY EXPRESSLY PROVIDED FOR [HEREIN/ABOVE/BELOW], DIALIGHT DISCLAIMS ANY AND ALL OTHER WARRANTIES, EXPRESS OR IMPLIED, INCLUDING, WITHOUT LIMITATION, ANY WARRANTIES OF MERCHANTABILITY, FITNESS FOR A PARTICULAR PURPOSE, TITLE, AND NON-INFRINGEMENT.