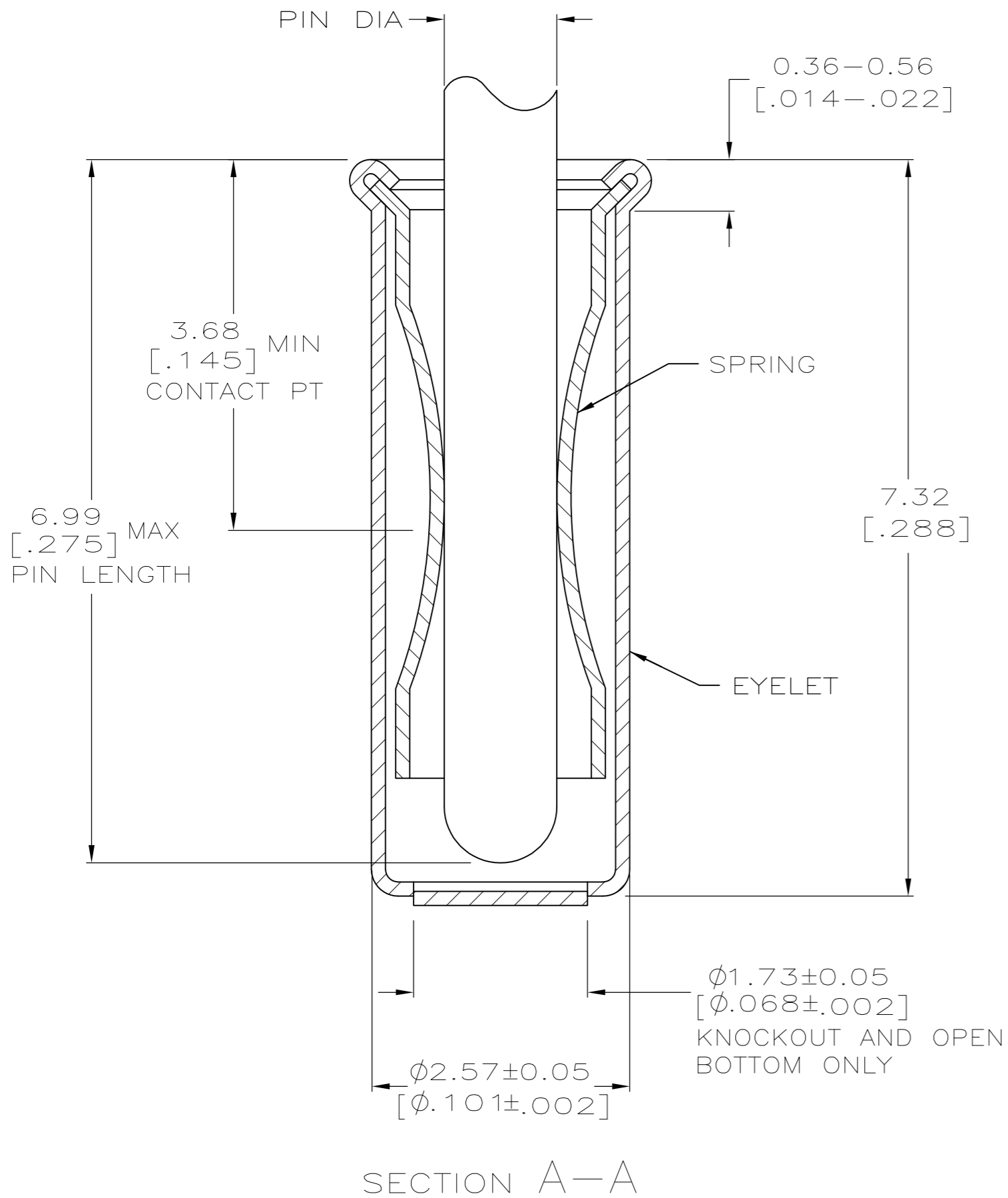
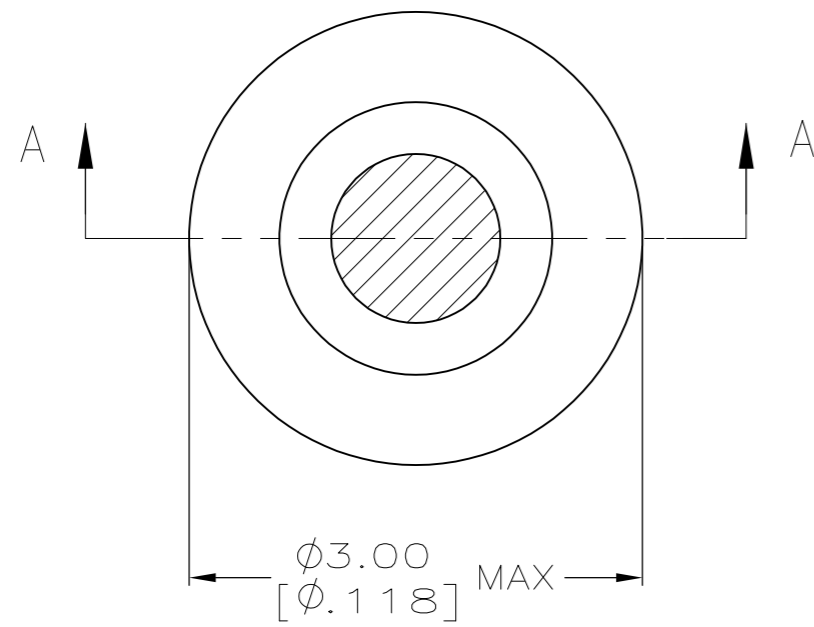


THIS DRAWING IS UNPUBLISHED. RELEASED FOR PUBLICATION
 © COPYRIGHT - By - ALL RIGHTS RESERVED.

LOC	DIST	REVISIONS					
GP	00	P	LTR	DESCRIPTION	DATE	DWN	APVD
		AE6		REVISED PER ECO-11-004835	11MAR11	RK	HMR



- ① TIN PER MIL-T-10727 OR TIN LEAD .00254 [.000100] MIN THK.
- ② GOLD PER MIL-G-45204, TYPE II, 0.00076 [.000030] MIN THK OVER NICKEL PER QQ-N-290 0.00028 [.000011] MIN THK ON CONTACT AREA.
- ③ GOLD FLASH PER MIL-G-45204, TYPE II, 0.13µm [.000005] MIN THK. OVER NICKEL PLATE PER QQ-N-290 0.51µm-1.52µm
- 4. RECOMMENDED HOLE SIZE, PLATED OR UNPLATED:
 MACHINE INSERTION: 2.56±0.08 [.101±.003]
 HAND INSERTION: 2.62^{+0.10}/_{-0.00} [.103^{+0.004}/_{-0.000}]
- 5. APPLICATION TOOL PART NUMBER:
 MACHINE NO. 682127-6
 INSERTION HEAD NO. 682039-5
- ⑥ TO INSURE PROPER SPRING TENSION DO NOT EXCEED A 0.05 [.002] DIFFERENCE IN PIN DIA WHEN CHANGING TO A SMALLER PIN.
- 7. BOTTOM PLUG KNOCKOUT TOOL PART NUMBER 69729 WITH TIP PART NUMBER 69728-3.
- ⑧ TIN PER ASTM B 545, 0.00254 [.000100] MIN THK.
- ⑨ MATERIAL: SPRING: BERYLLIUM COPPER, QQ-C-533.
 EYELET: COPPER, QQ-C-576.

FINISH	FINISH	PART NO
TIN ⑧	TIN ⑧	6-50871-8
TIN ⑧	TIN ①	3-50871-0
TIN ⑧	GOLD ②	2-50871-8
TIN ⑧	TIN ①	2-50871-7
TIN ①	TIN ①	2-50871-6
TIN ①	TIN ①	2-50871-5
TIN ①	TIN ①	2-50871-4
TIN ①	TIN ①	2-50871-3
TIN ①	TIN ①	2-50871-2
TIN ①	GOLD ②	2-50871-1
TIN ①	TIN ①	1-50871-9
TIN ①	TIN ①	1-50871-8
TIN ①	TIN ①	1-50871-7
TIN ①	TIN ①	1-50871-4
TIN ①	GOLD ②	1-50871-3
TIN ①	TIN ①	1-50871-0
TIN ①	TIN ①	50871-8
TIN ①	TIN ①	50871-6
TIN ①	TIN ①	50871-5
TIN ①	TIN ①	50871-4
TIN ①	GOLD ②	50871-3
TIN ①	TIN ①	50871-1
TIN ①	TIN ①	50871
EYELET	SPRING	
FINISH		PART NO

THIS DRAWING IS A CONTROLLED DOCUMENT. DWN R. TALLEY 20SEP05
 CHK R. MILLER 8-22-91

TE Connectivity

MINIATURE SPRING SOCKET ASSEMBLY
 SERIES 5

SIZE: A2 CAGE CODE: 00779 DRAWING NO: C=50871 RESTRICTED TO: -

SCALE: 20:1 SHEET: 1 OF 1 REV: AE6